

smart case

Assembly instructions

Dear customer

Through the purchase of this smart case you decided for a quality product made by KNOKE Beschlagtechnik. Please accept our thanks for your confidence. Please make yourself familiar with the smart case and its accessories before you start the assembly.

This instruction describes the mounting and the handling of the KNOKE smart case. Please read through this manual carefully and follow all security advice before you start the workings.

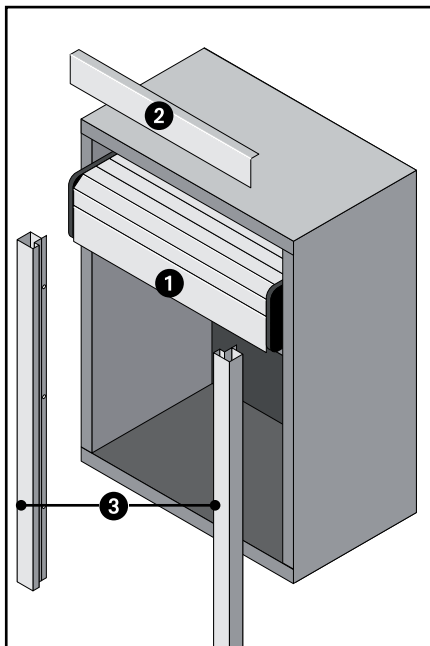
Please keep this instruction ready to hand. In case of damages that occur through disregard of this manual and of the security advice the guarantee expires. We assume no liability for consequential damages that originate from this.



Important indications

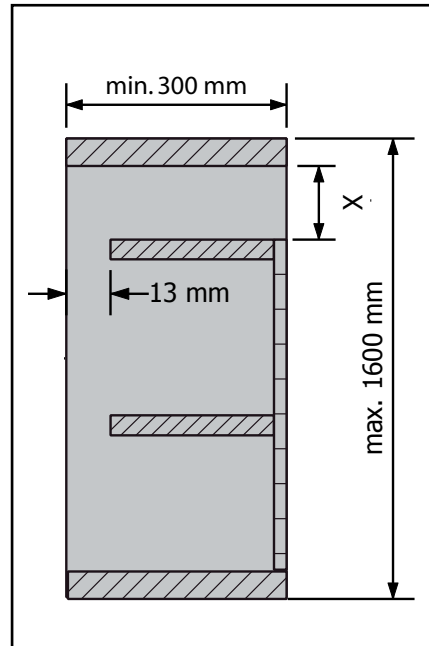
After having unpacked the goods please compare the contents of the package with the specifications regarding the scope of delivery. If you note damages please contact your distributor.

Contents

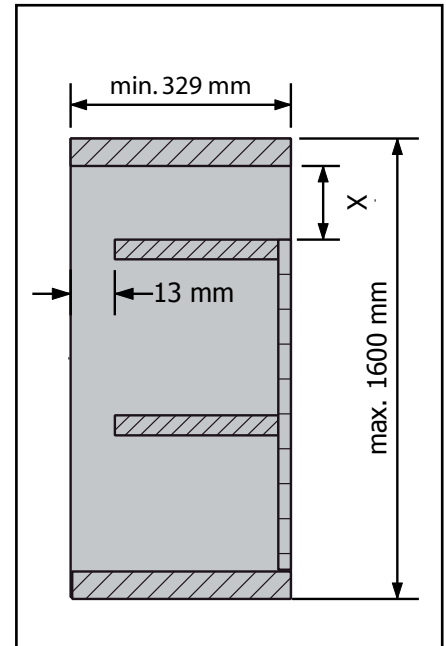


- ① 1x Roller shutter module
- ② 1x Aluminum cover profile
- ③ 1x Aluminum guidance profile

Cabinet dimensions (measurement in mm)



25 mm slats



50 mm slats

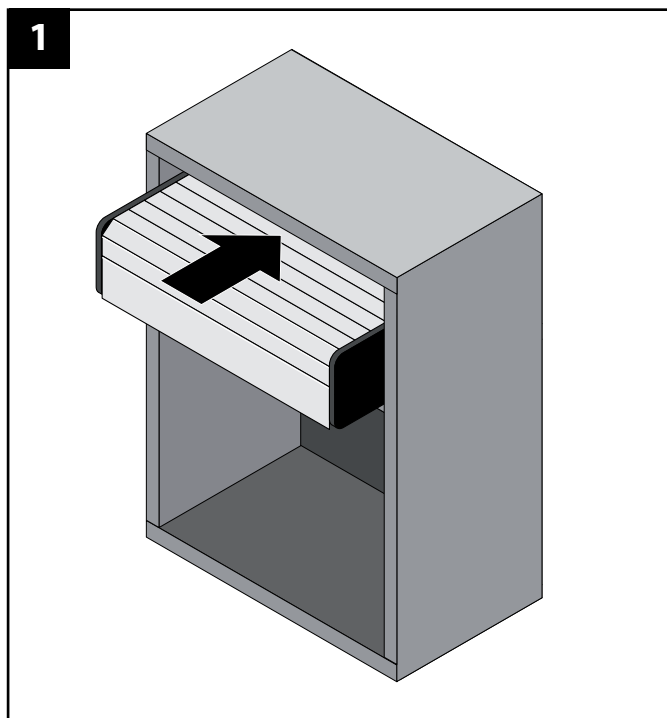
25 mm slats	X-height	X-height
Cabinet height	carcase size 16 mm	carcase size 19 mm
250-650 mm	103 mm	100 mm
651-1200 mm	123 mm	120 mm
1201-1600 mm	137 mm	134 mm

50 mm slats	X-height	X-height
Cabinet height	carcase size 16 mm	carcase size 19 mm
300-1600 mm	158 mm	155 mm

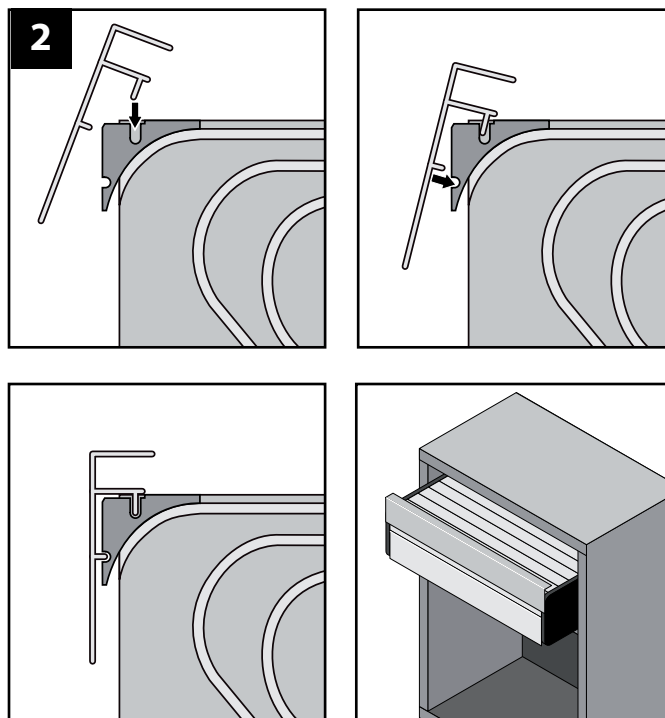
smart case

Assembly instructions

Attaching the cover profile

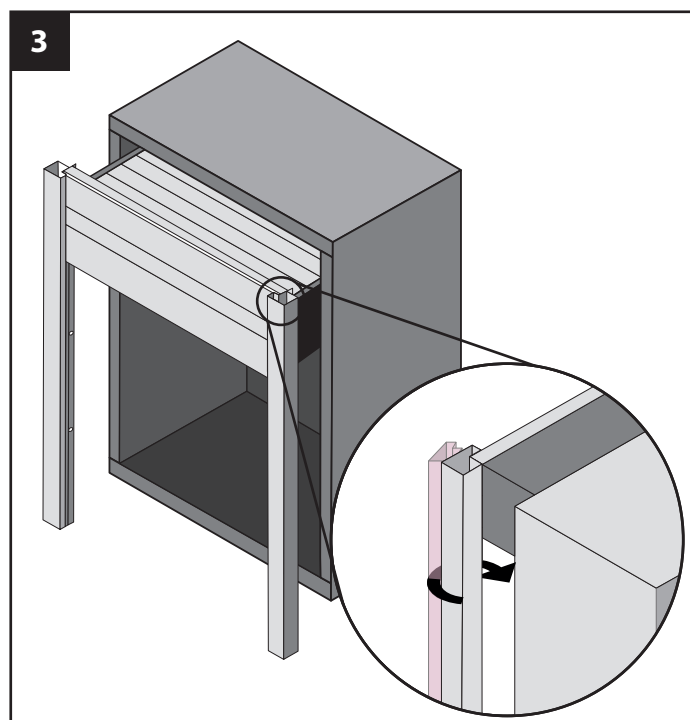


1 Push the smart case halfway into the cabinet



2 Clips the cover onto the plastic side parts of the unit

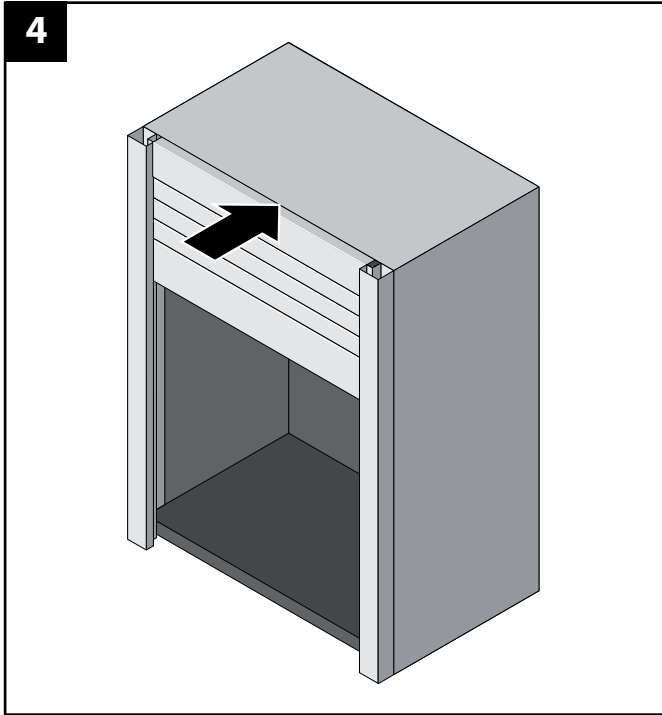
Fixing the guiding profiles



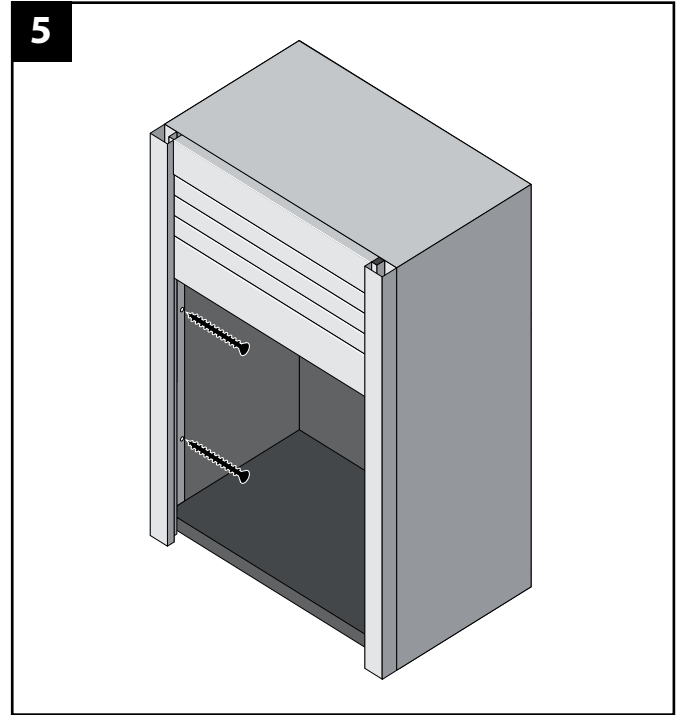
3 Slide the guiding profiles onto the roller shutter

smart case

Assembly instructions



Push in the smart case entirely

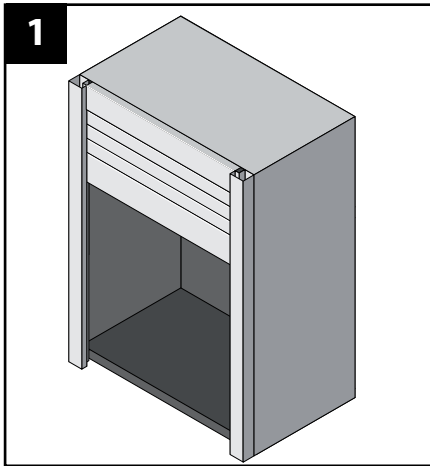


Screw on the guidance profiles

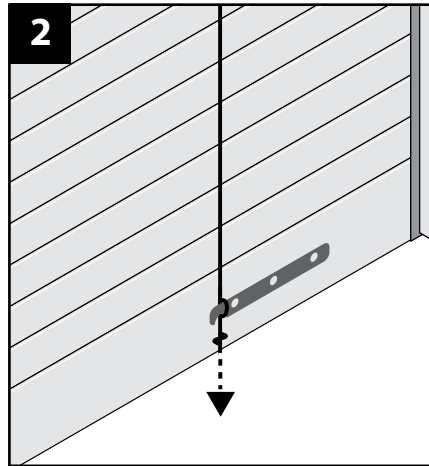
smart case

Set the tension of the spring

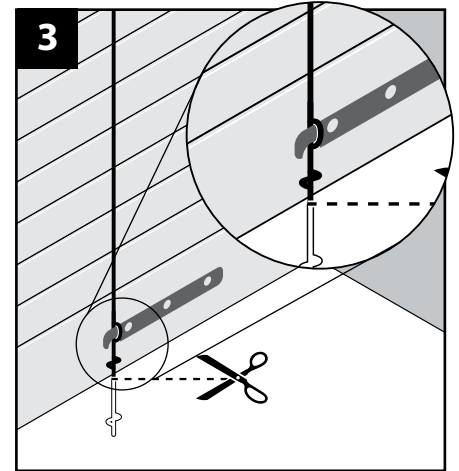
Version 1



Roller shutter moved down a little

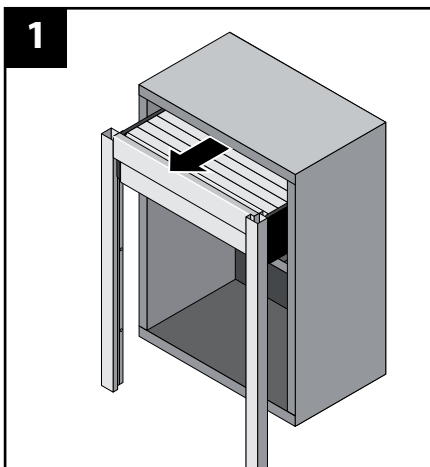


Remove the traction rope from the suspension. Pull the rope

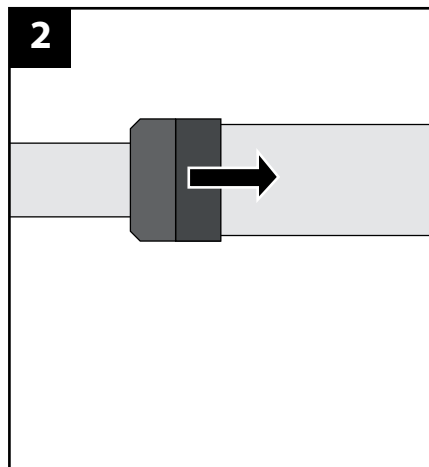


Tie a new knot in the rope and fit it around the suspension

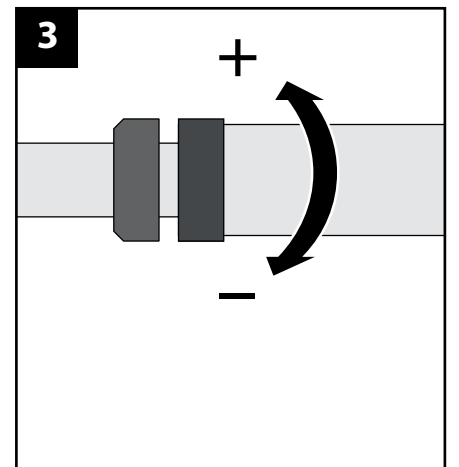
Version 2



smart case pulled out half way



Press the tension ring to the middle



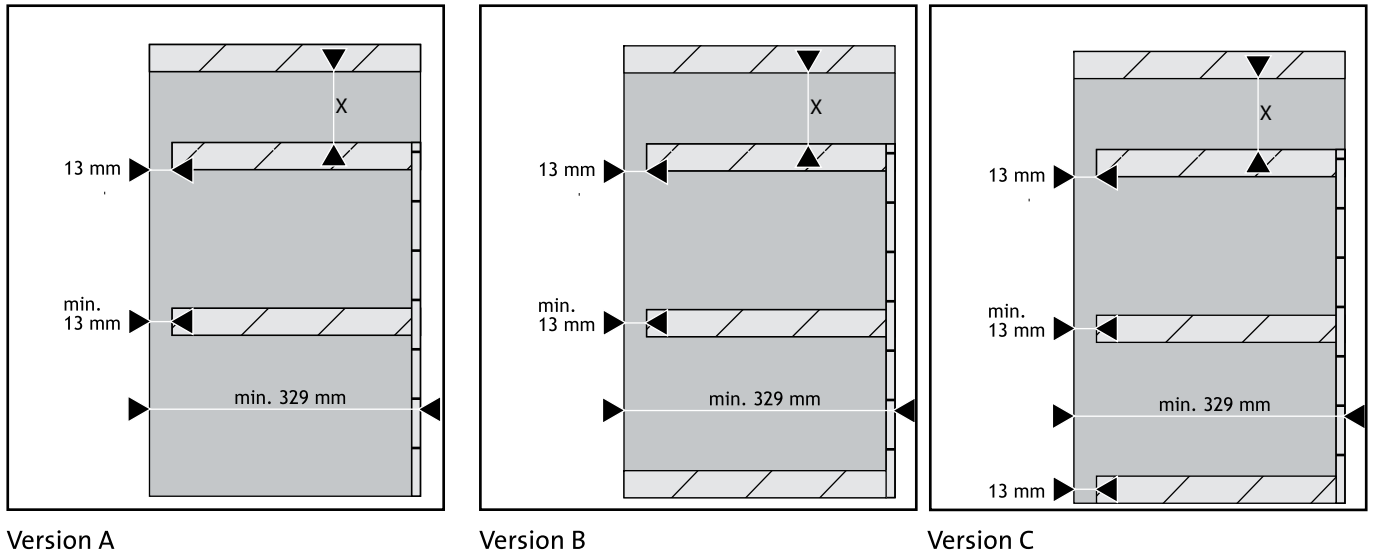
Turn.

102781_02_12

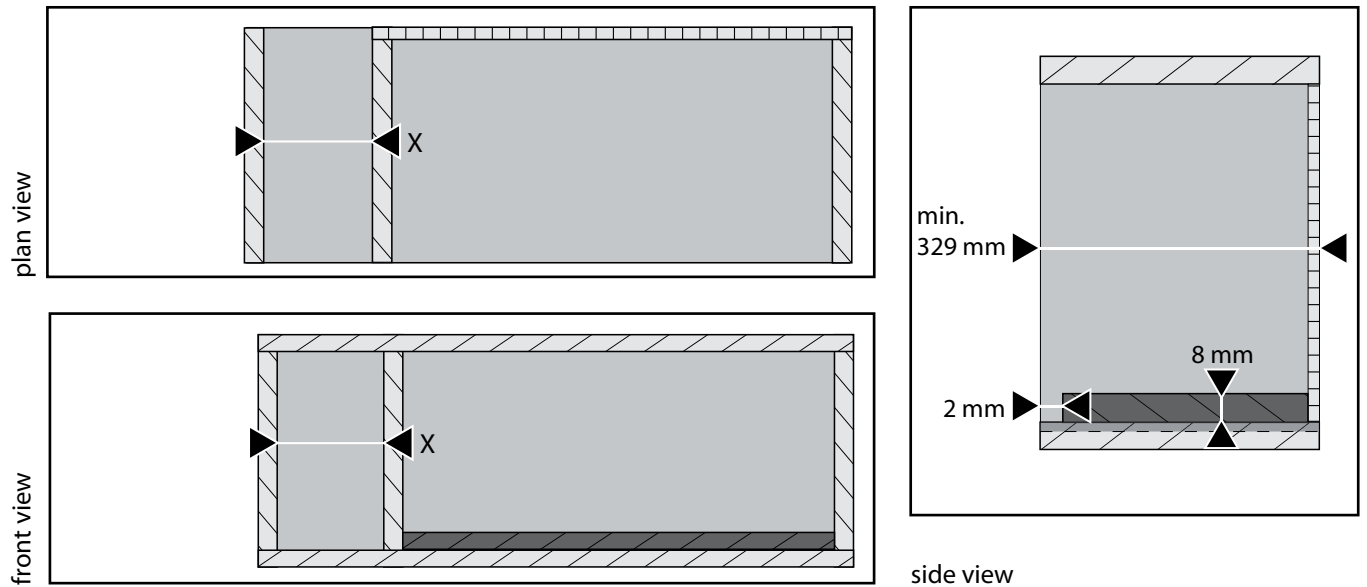
smart case

Installation dimensions for 50 mm slats

Recommended cabinet construction for vertical operation



Recommended cabinet construction for horizontal operation, single sided



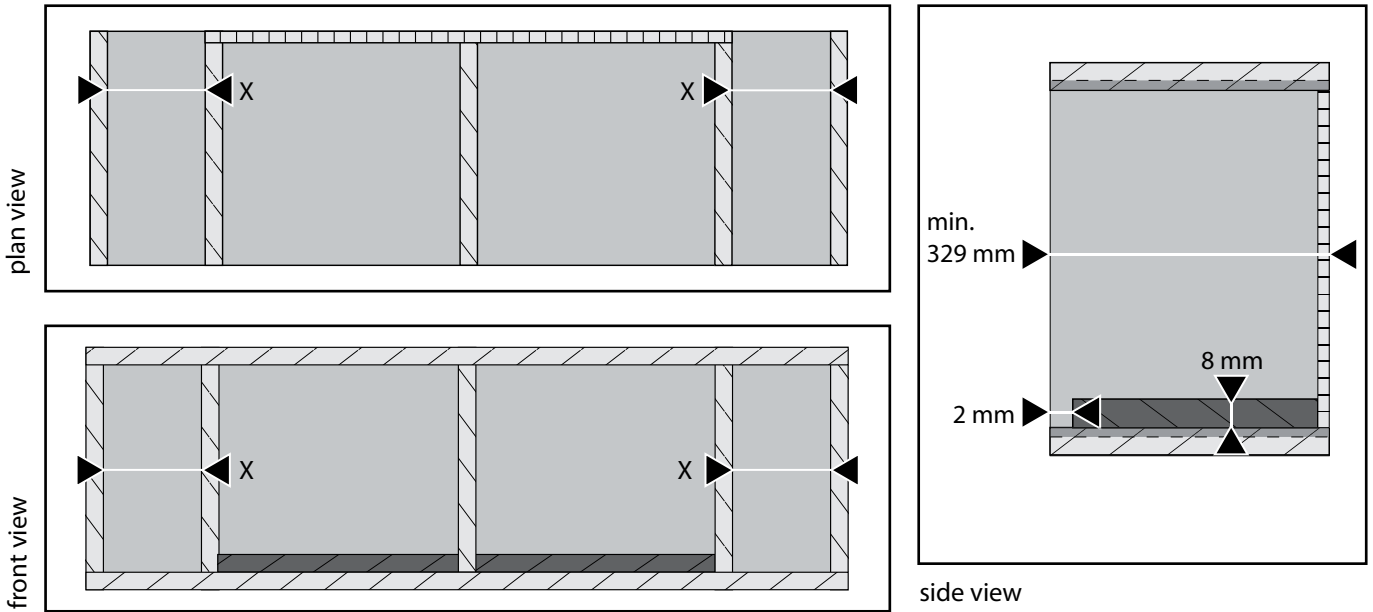
25 mm slats	X-height	X-height
Cabinet height	carcase size 16 mm	carcase size 19 mm
250-650 mm	103 mm	100 mm
651-1200 mm	123 mm	120 mm
1201-1600 mm	137 mm	134 mm

50 mm slats	X-height	X-height
Cabinet height	carcase size 16 mm	carcase size 19 mm
300-1600 mm	158 mm	155 mm

smart case

Installation dimensions for 50 mm slats

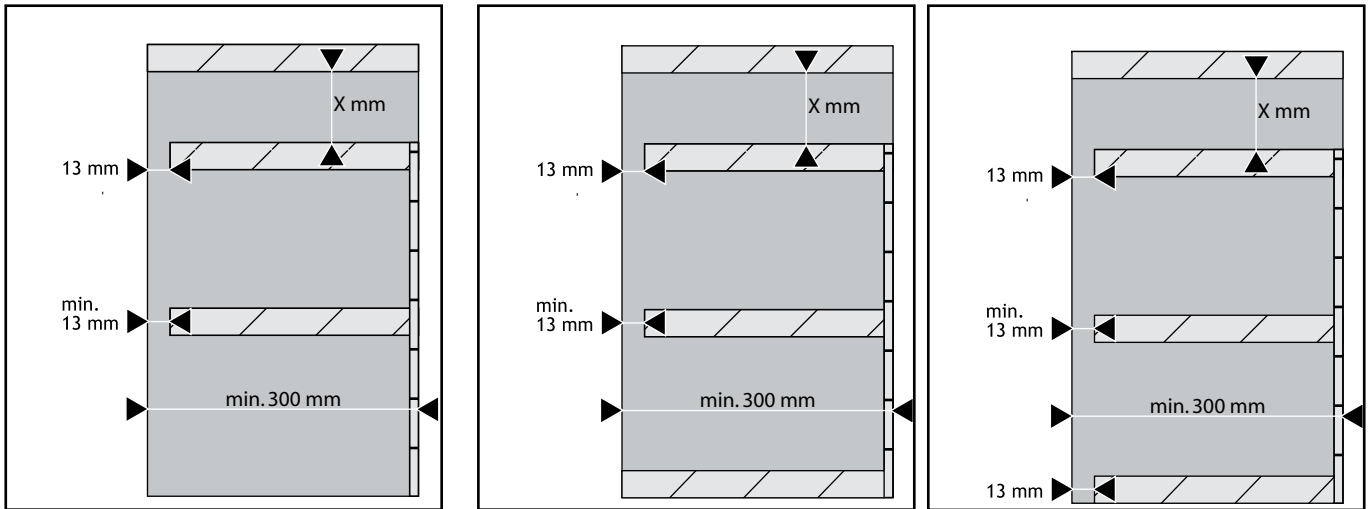
Recommended cabinet construction for horizontal operation, double sided



smart case

Installation dimensions for 25 mm slats

Recommended cabinet construction for vertical operation

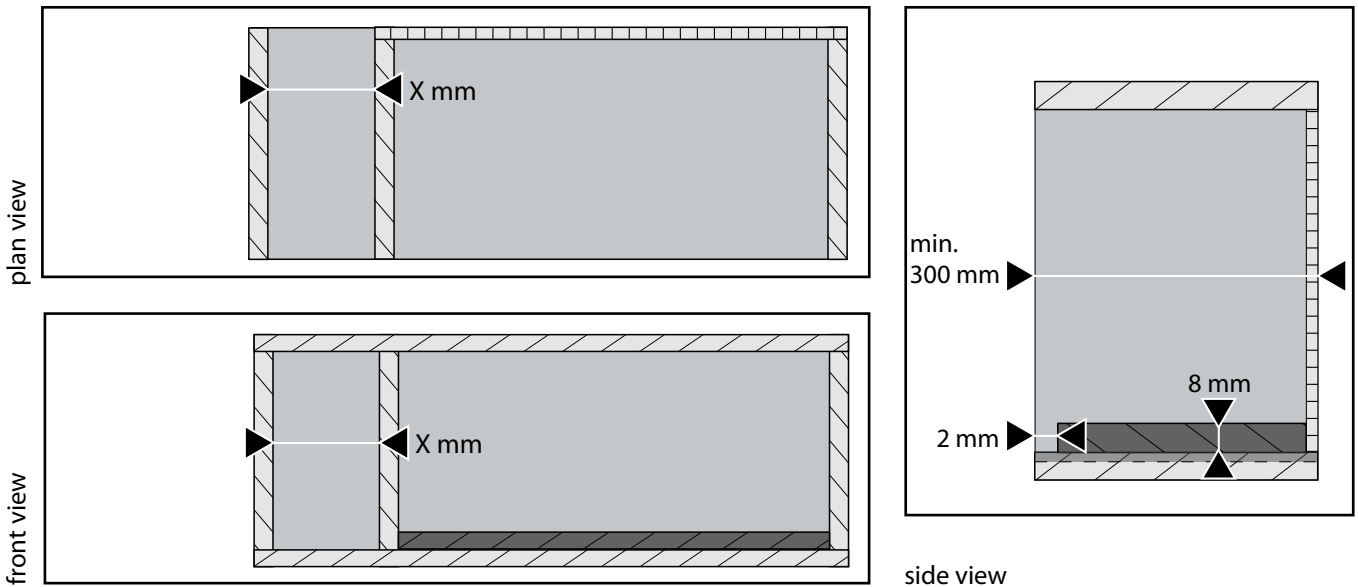


Version A

Version B

Version C

Recommended cabinet construction for horizontal operation, single sided



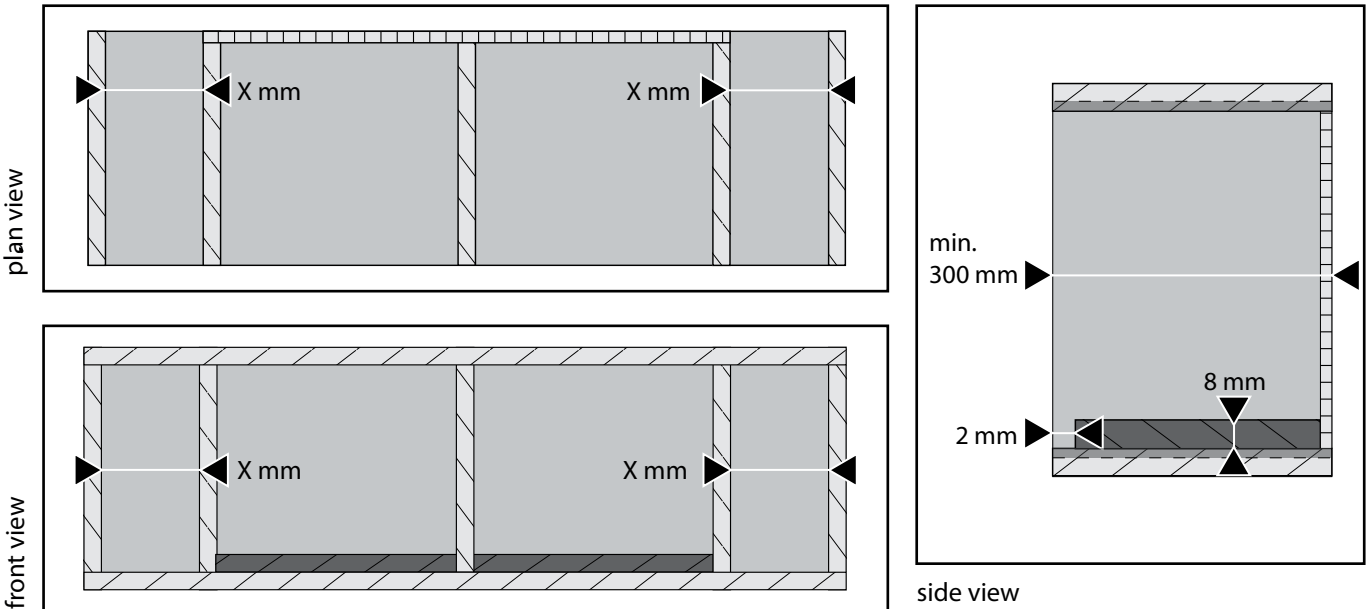
25 mm slats	X-height	X-height
Cabinet height	carcase size 16 mm	carcase size 19 mm
250-650 mm	103 mm	100 mm
651-1200 mm	123 mm	120 mm
1201-1600 mm	137 mm	134 mm

50 mm slats	X-height	X-height
Cabinet height	carcase size 16 mm	carcase size 19 mm
300-1600 mm	158 mm	155 mm

smart case

Installation dimensions for 25 mm slats

Recommended cabinet construction for horizontal operation, double sided



Error correction

Error	Possible cause	Trouble shooting
Noticeable running noise of the roller shutter	Cover profile touches the roller shutter	Clips the cover profile securely on both plastic side parts Check the position of the cover profile: it must not be affected by overhanging shapes of the carcass