

lucy  
The glass shelf



1 highest operational safety

2 exclusive look

3 glare-free illumination

4 perfect cleaning conditions

## 1 highest operational safety

The 5 mm thick glass shelf is given extra stability by means of an allround frame made of dimensionally stable aluminium. Tilt protection and lift stop of the panel by means of the plug-on construction of the covered shelf supports.

## 2 exclusive look

The glass is bordered by an allround frame made of slim aluminium profiles. The shelf supports are completely covered by the lateral profiles.

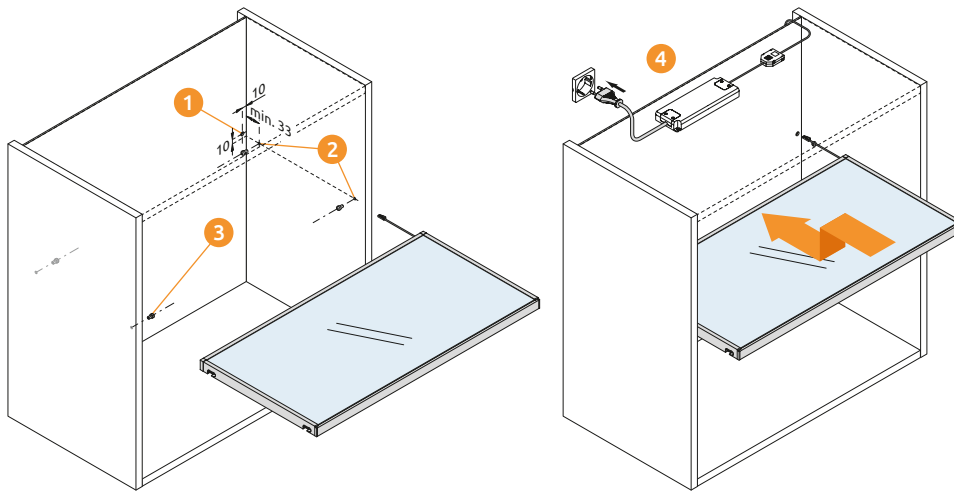
## 3 absolutely glare-free carcass illumination

Optional LED lighting within the front profile. The effect: a uniform and absolutely glare-free carcass illumination.

## 4 perfect cleaning conditions

The skilful design of the frame profiles allow the optimal cleaning and care of the glass panel.

## Carcase assembly and cable routing glass shelf lucy



Tilt protection and lift stop by means of plug-on technology

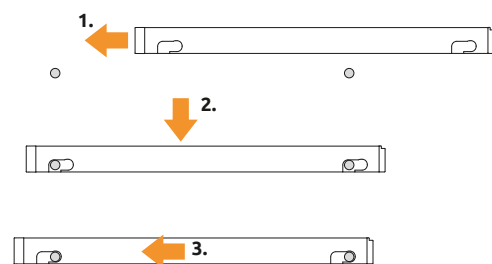
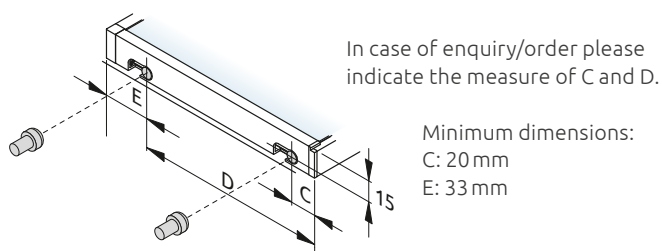
Concealed cable routing within the lateral profile and through the carcass rear panel

### Key

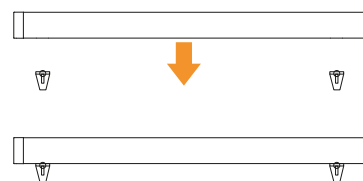
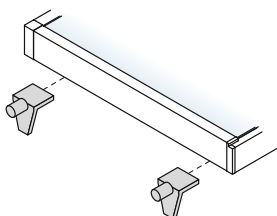
- 1 Through hole for the connection cable, bore diameter: 8 mm
- 2 Shelf support positions in the side panel, bore diameter: 5 mm
- 3 Special shelf supports for insertion
- 4 Transformer for LED light, 12 V DC, 200 cm cable with Euro plug

## Versions of shelf support attachment

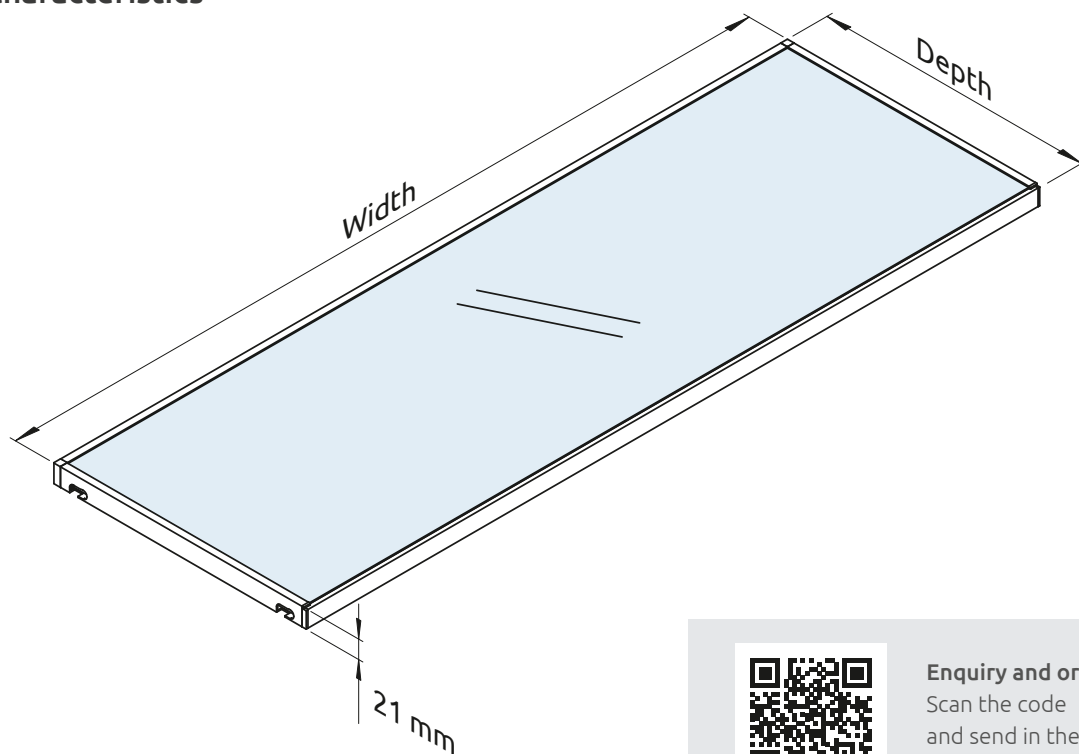
- A** Covered shelf supports, bore diameter: 5 mm  
 – plug-on technology / integrated tilt protection and lift stop  
 – special shelf supports are attached to the glass shelves



- B** Overlay shelf supports  
 – for shelf supports supplied by the customer



## Technical characteristics



### Enquiry and order:

Scan the code  
and send in the form:

› [www.knoke.eu/lucy-en](http://www.knoke.eu/lucy-en)

Glass:	<ul style="list-style-type: none"> <li>› float glass clear, 5 mm</li> <li>› white glass satined (frosted), 5 mm</li> </ul>
Width:	min. 250 mm, max. 1200 mm
Depth:	min. 100 mm, max. 480 mm
Load capacity:	maximum of 25 kg
Profile frame:	<ul style="list-style-type: none"> <li>› anodised aluminium (E6/C0)</li> <li>› aluminium with stainless steel effect (E2/ES)</li> </ul>
Attachment to side panel:	<ul style="list-style-type: none"> <li>› version A: covered shelf supports</li> <li>› version B: overlay shelf supports</li> </ul> <p>The shelf supports for concealed mounting are attached each time to the glass shelf.</p>
Optional LED lighting:	LED strips assembled in front profile, glare-free. Concealed cable routing with tension relief through the lateral aluminium profile. Cable outlet to the right, approx. 1000 mm connection cable with mini plug, black.
Power supply:	12 V DC
Brightness:	approx. 850 lm/rm
Power:	approx. 9,6 W/rm (important for dimensioning and selection of the transformers)
Protection rating / class:	IP 20, III
Light colours:	<ul style="list-style-type: none"> <li>› warm white (3000 K)</li> <li>› neutral white (4000 K)</li> <li>› cold white (6000 K)</li> </ul>
LED transformers:	<p>adapted to the LED light 12 V DC, each with approx. 200 cm connection cable and Euro plug</p> <ul style="list-style-type: none"> <li>› 12 V 20 W with connection sockets for max. 3 mini plugs</li> <li>› 12 V 30 W with connection sockets for max. 6 mini plugs</li> <li>› 12 V 50 W with connection sockets for max. 6 mini plugs</li> </ul>

# lucy LIGHTING OPTIONS



## 1 Basic illumination/individual application

Carcase rear panel, top and bottom panel will be illuminated by lucy. This is how a pleasant lighting atmosphere is created, also behind satin finished glass fronts.

## 2 Accent lighting/showcase

When inserting several lucys in the carcase the user obtains the lighting quality of a showcase. Your most beautiful showpieces will be placed in the best possible light.

## 3 Carcase application

Individual adjustment to your hole line positions possible. Cable routing within the lateral profile covered through the rear panel.

## 4 Use in niche applications

Of course lucy can also be positioned as you like. Special overlay shelf supports offer creative freedom.



## KNOKE Beschlagtechnik: Two decades of innovation “made in Germany”

Quality, customer service and confident cooperation have been on top of the scale of values since the foundation of the company in the year 1993. By means of these principles KNOKE Beschlagtechnik has not only turned into an established service provider for the local furniture industry but has taken a significant step forward by opening up a number of international markets.

Our competence within the treatment of aluminium profiles and glass elements as well as our expertise in the range of assembly technology make us a leading partner for the development of customised solutions worldwide. The successful placement of own products in international markets reinforces our position as a specialised initiator within our branch.

Today more than 20 highly committed employees design and produce roller shutters, furniture fittings and a great deal of pleasure for our customers in over 30 countries.