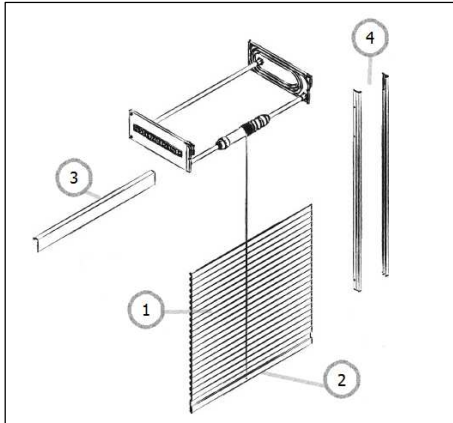


## 1. ABS plastic roller shutter KS 25 L



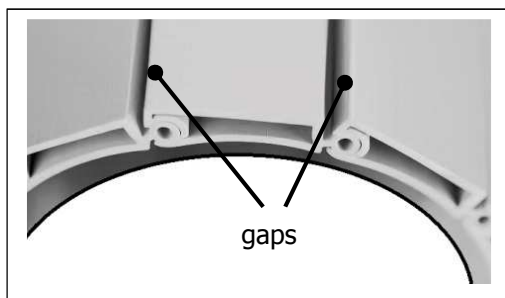
### Materials

Element	Description	ABS	Aluminium anodised
<b>1</b>	Slats	x	-
<b>2</b>	Bottom profile	-	x
<b>3</b>	Cover profile	-	x
<b>4</b>	Guiding profiles (smart case)	x	-

### Lacquering of ABS

- Clean and degrease.
  - Suitable cleaning agent: butanone (in retail market also listed as MEK)
  - Not suitable: acetone, which will damage the ABS finish.
- Some lacquers require a corresponding priming.
- For questions regarding the use please contact your specialist retailer for painting and lacquering.

### Method



In case of lacquering it is helpful to use a curved base in order to ensure sufficient space between the slats. In this way the applied ink film also reaches the gaps and the slats do not stick together.

### Lacquering of anodised aluminium

- Clean and degrease.
- Apply adhesion promoter (primer).
- Only then paint in the desired colour.
- For questions regarding the use please contact your specialist retailer for painting and lacquering.

## 2. Flap fitting Stingray

### Materials

- The Stingray casing consists of ABS.

### Lacquering of ABS

- Clean and degrease.
  - Suitable cleaning agent: butanone (in retail market also listed as MEK)
  - Not suitable: acetone, which will damage the ABS finish.
- Some lacquers require a corresponding priming.
- For questions regarding the use please contact your specialist retailer for painting and lacquering.