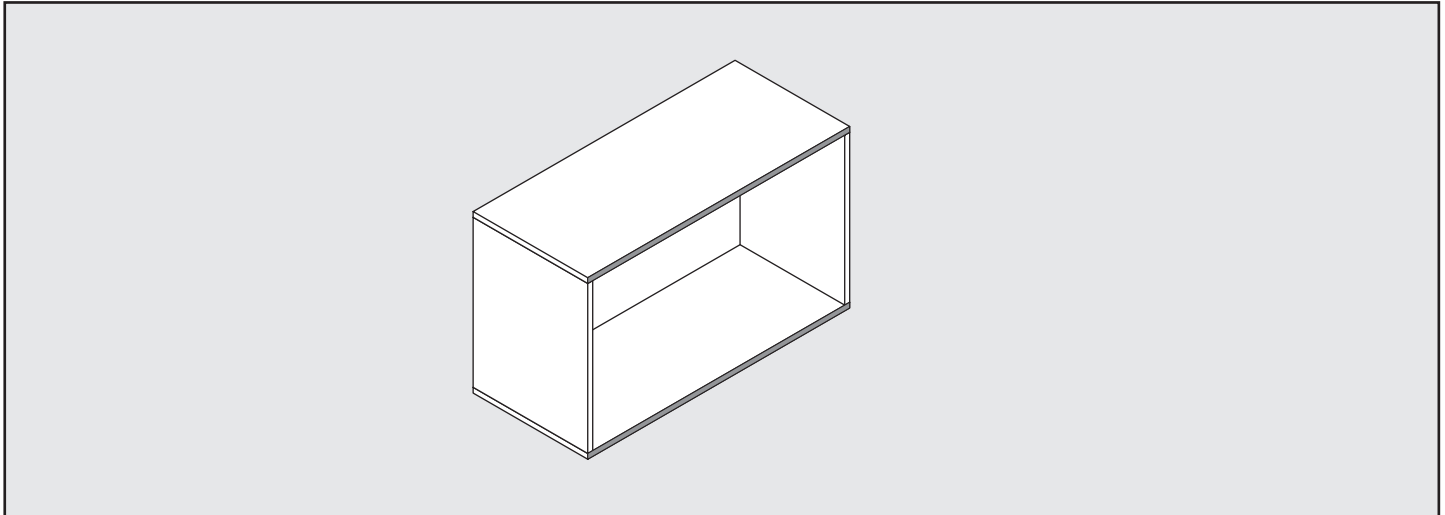
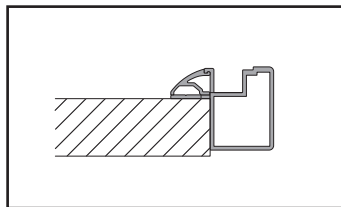
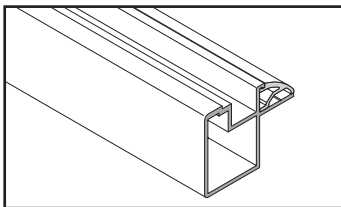


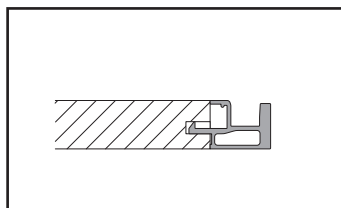
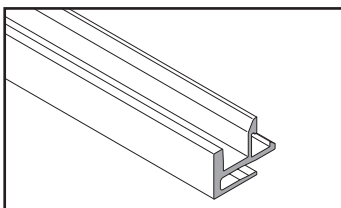
## Führungssystem für horizontale Rollläden



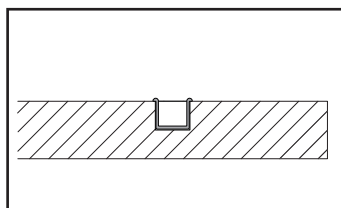
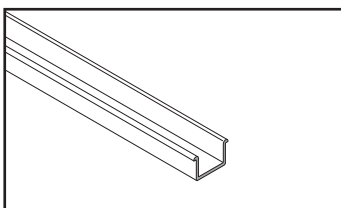
### contour



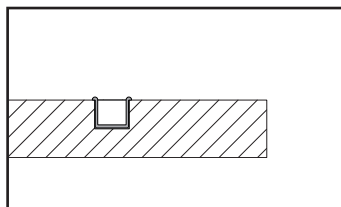
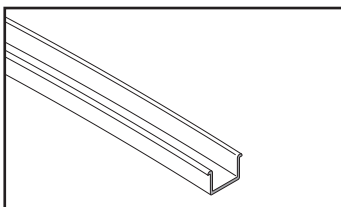
### frame



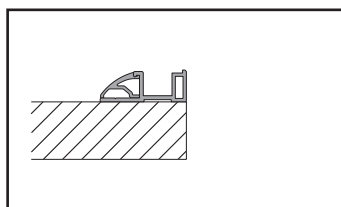
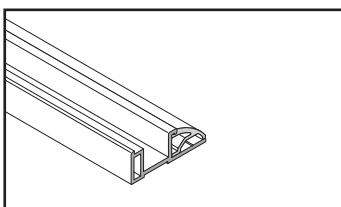
### classic



### flex-form

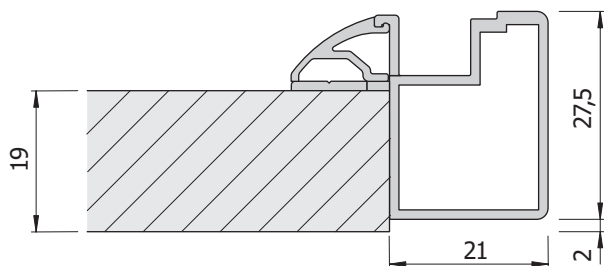


### slim line

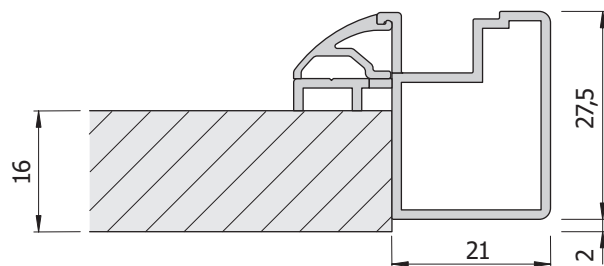


## contour

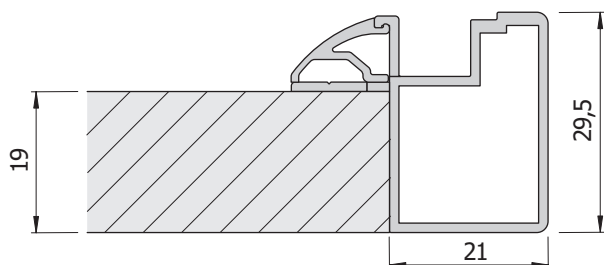
19-2



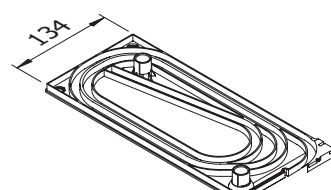
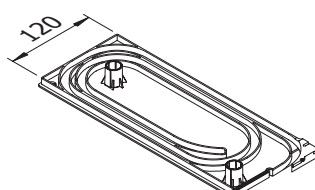
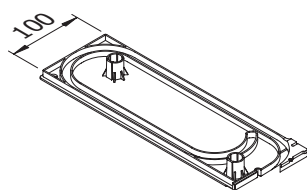
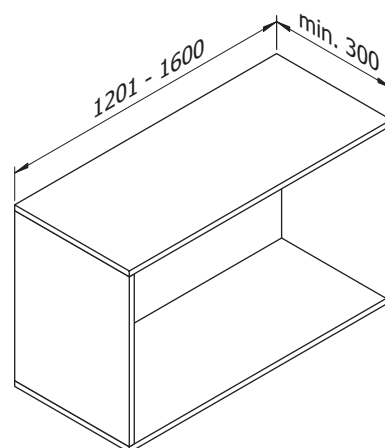
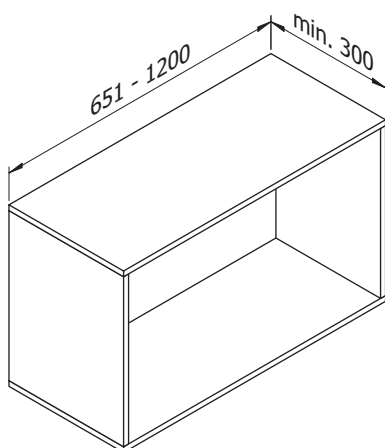
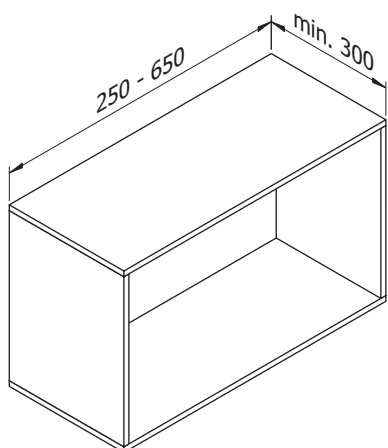
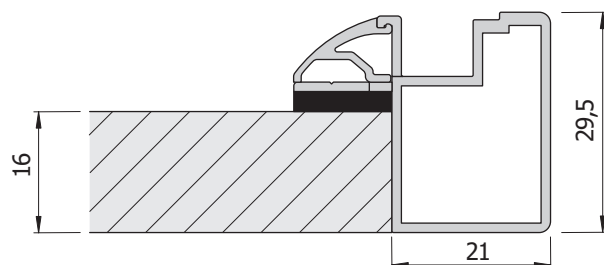
16-2

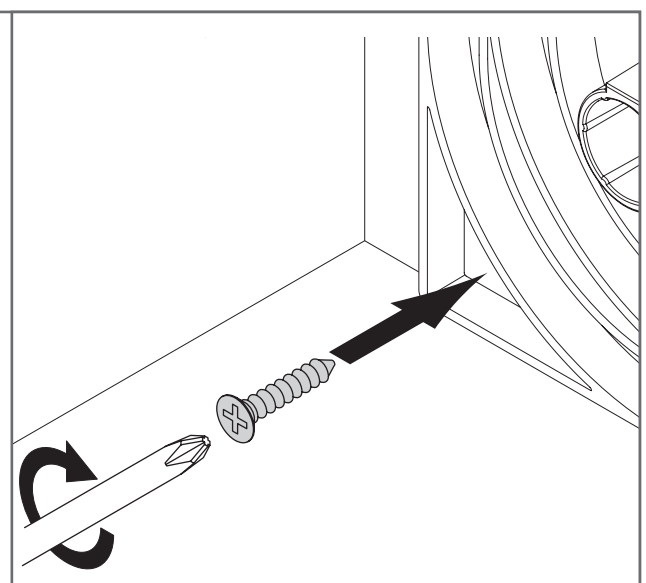
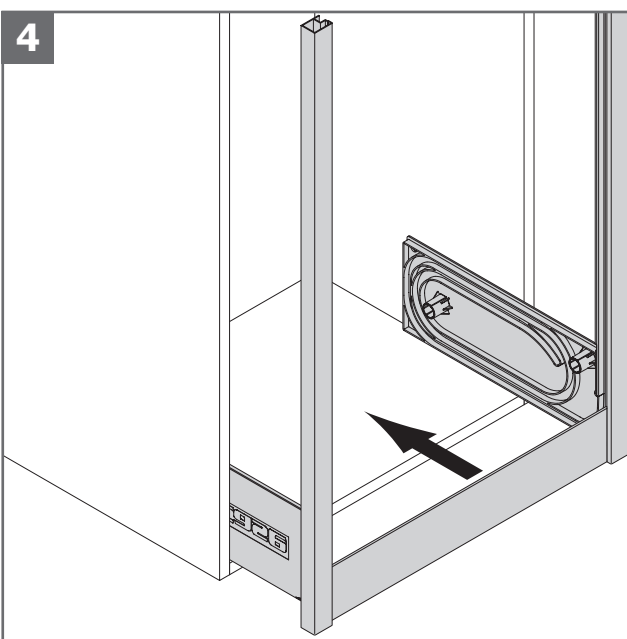
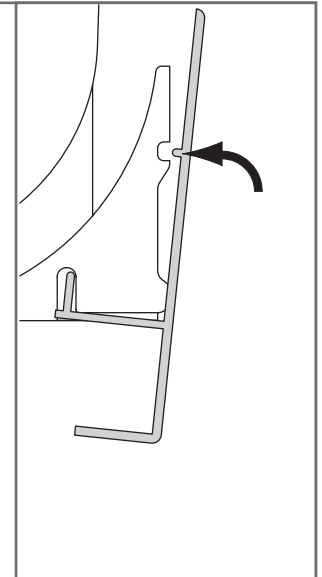
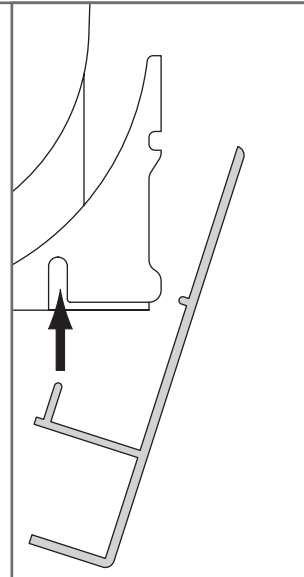
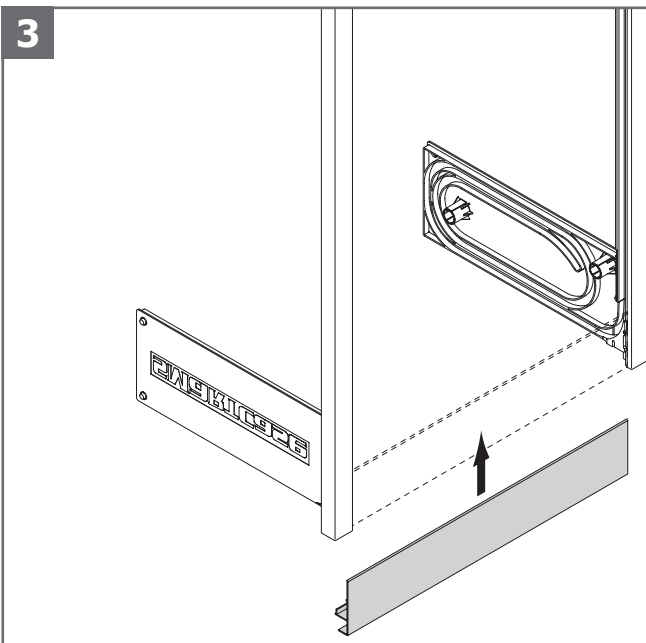
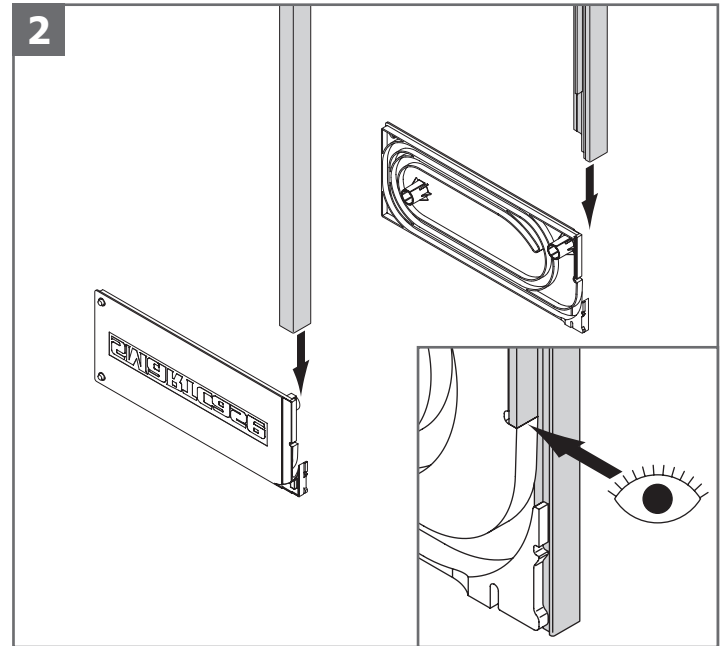
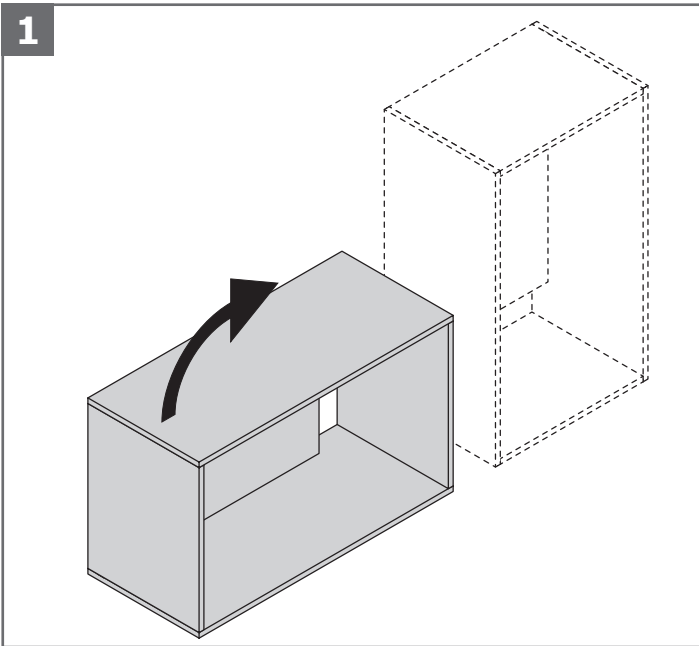


19-0



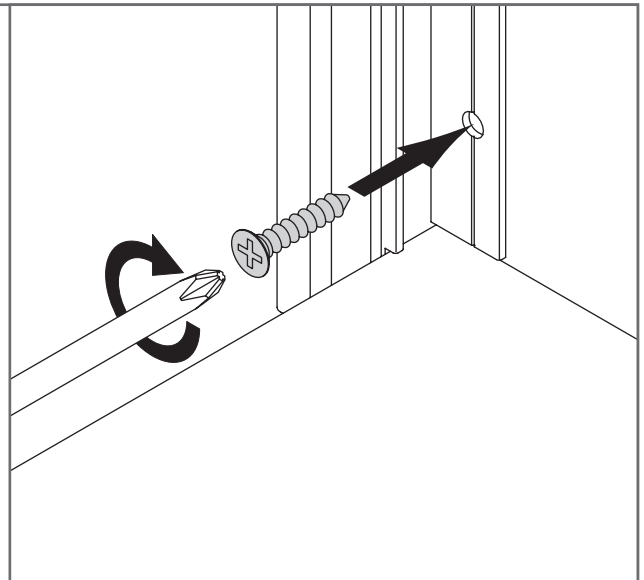
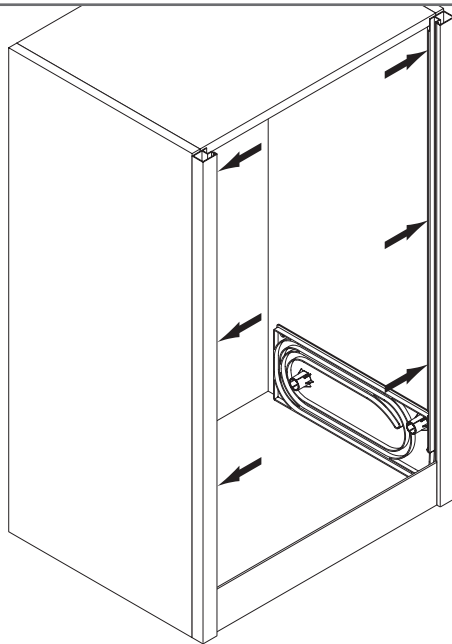
16-0



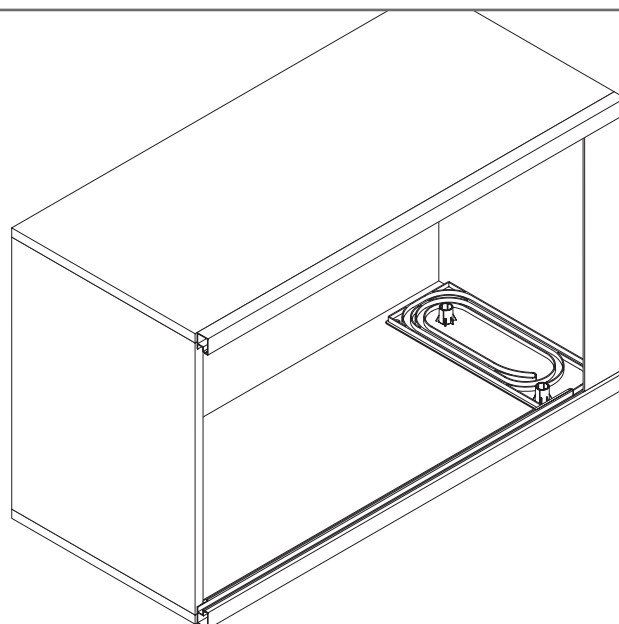
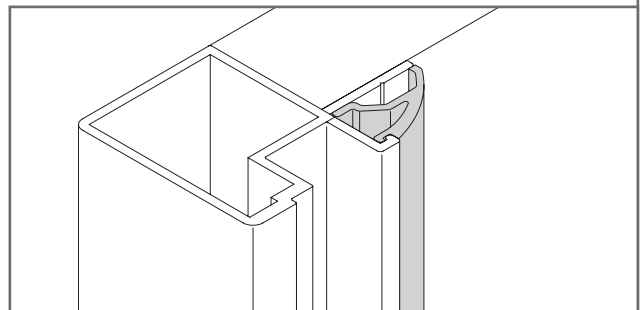
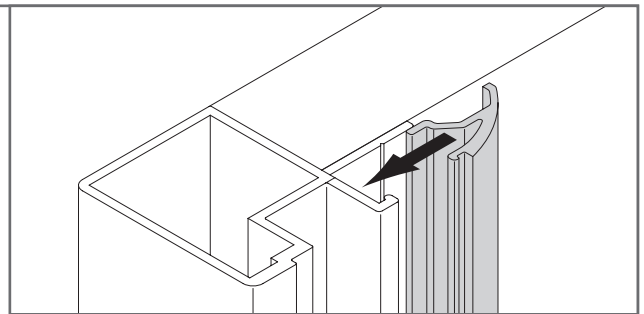
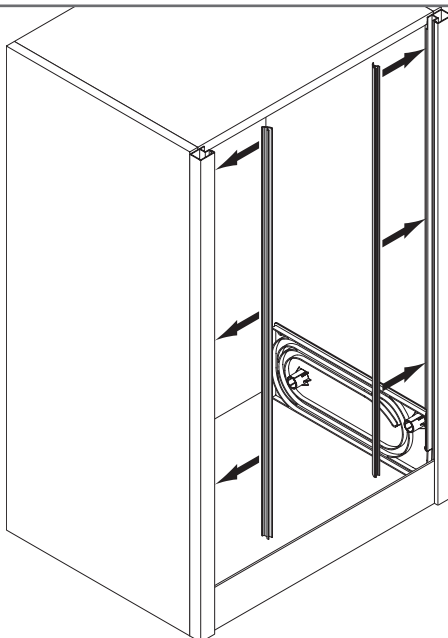


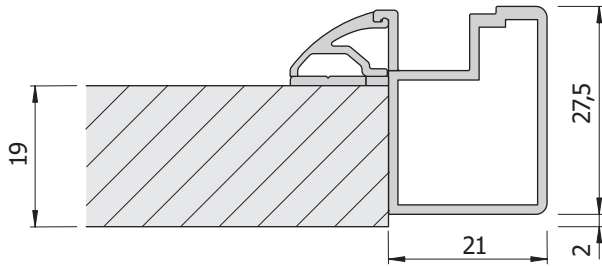
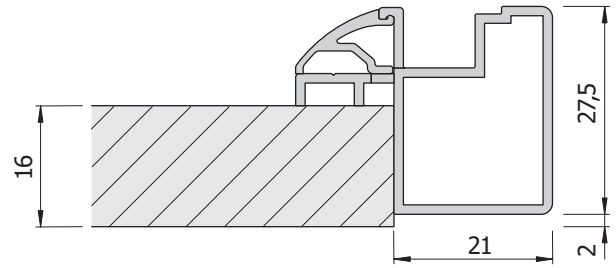
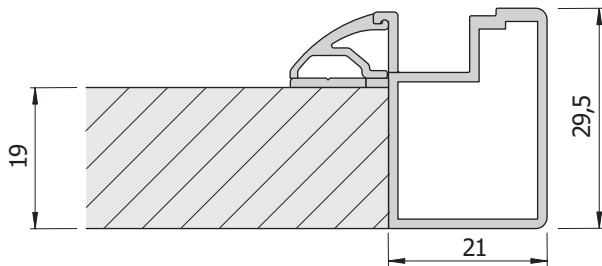
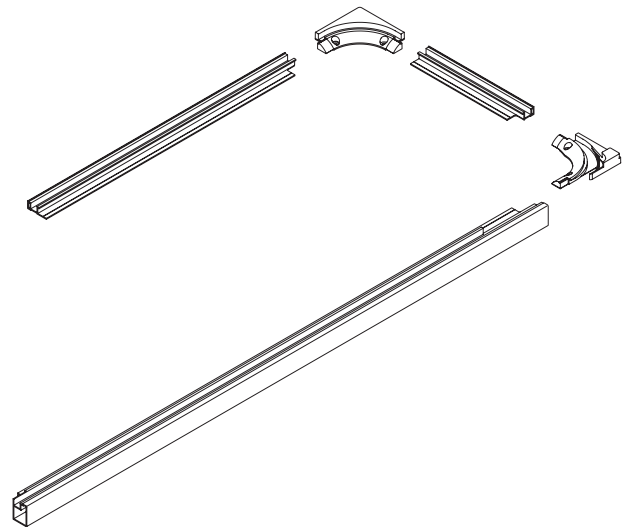
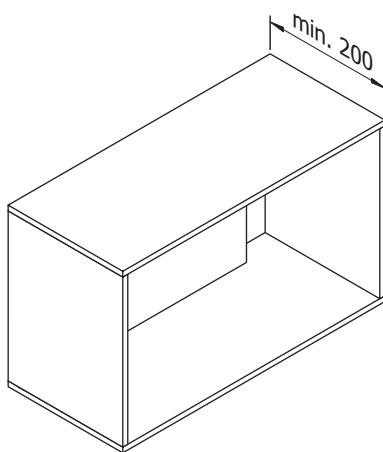
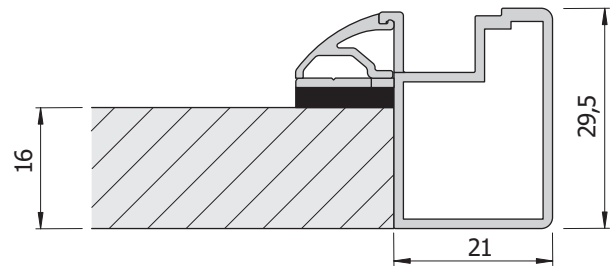


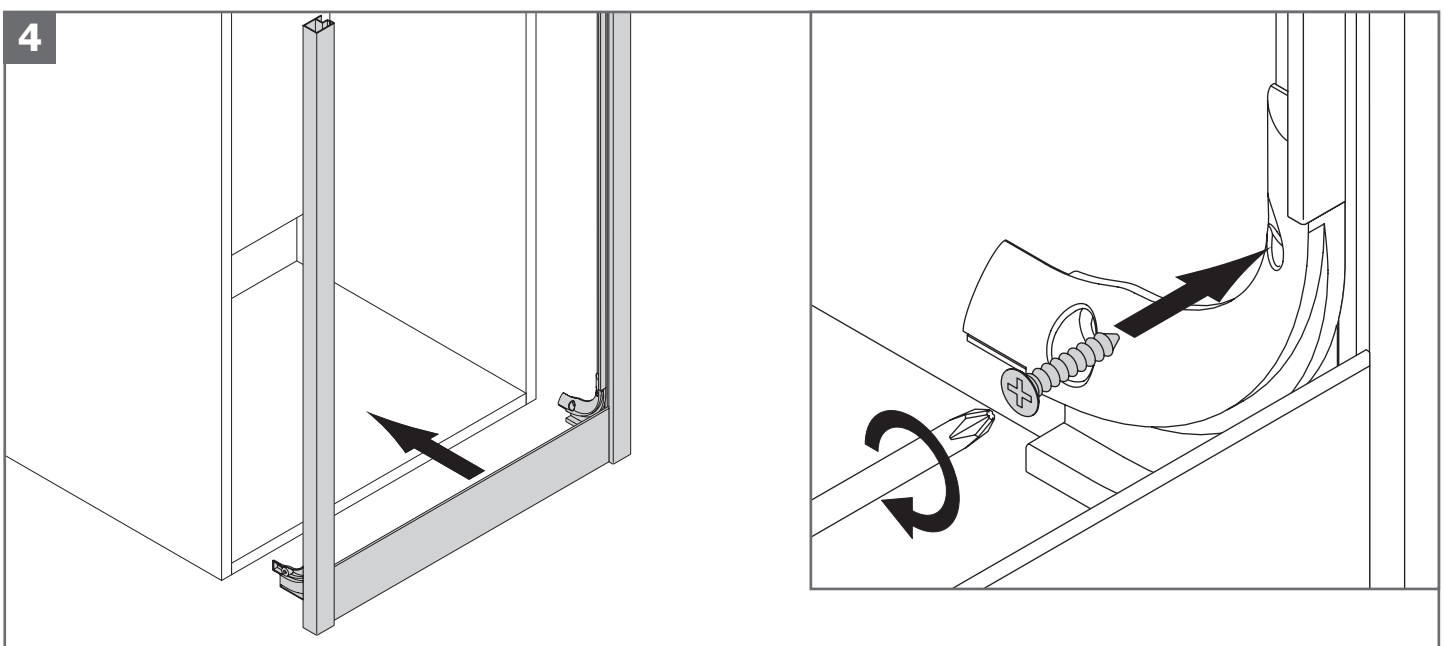
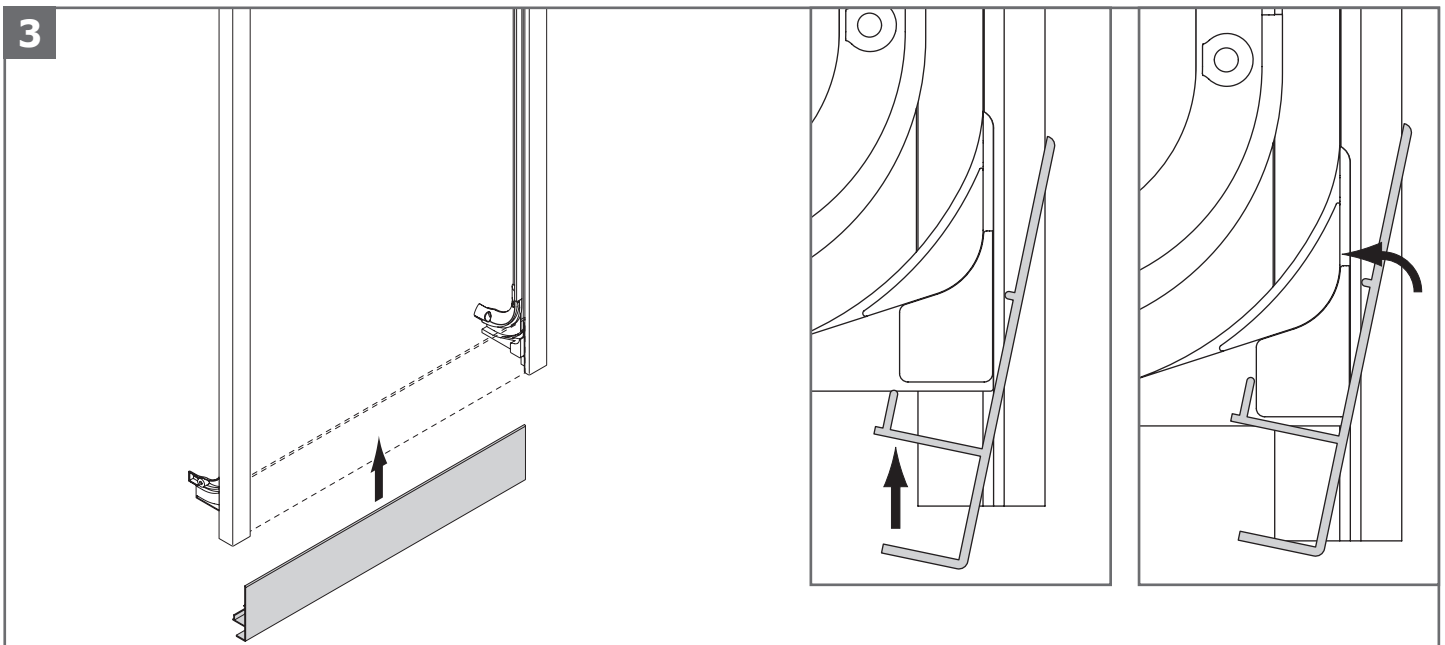
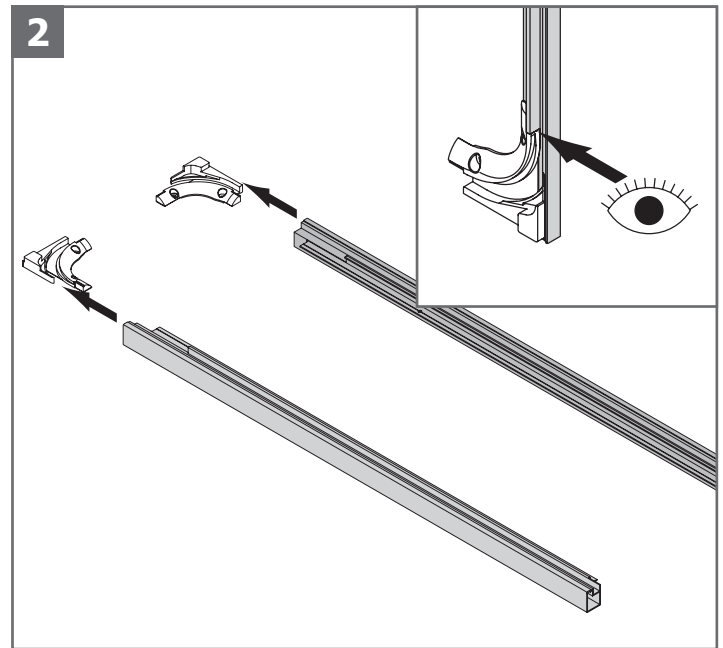
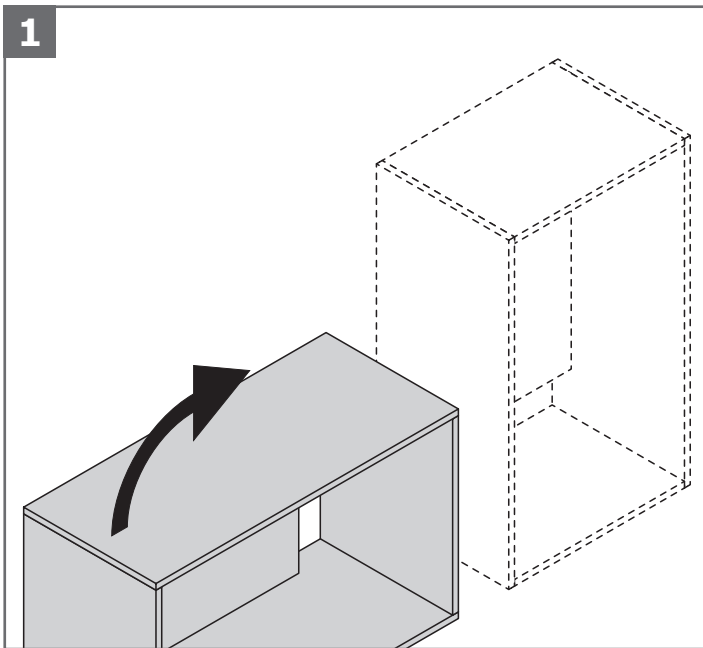
5

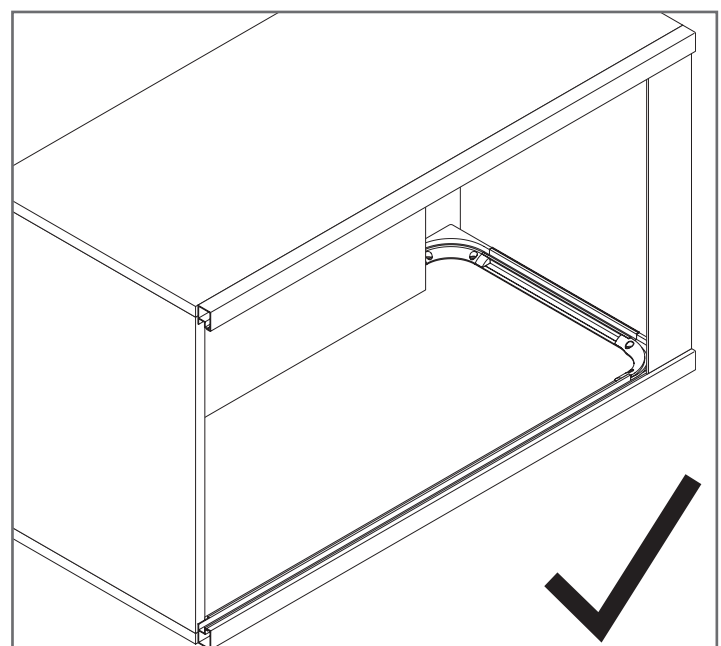
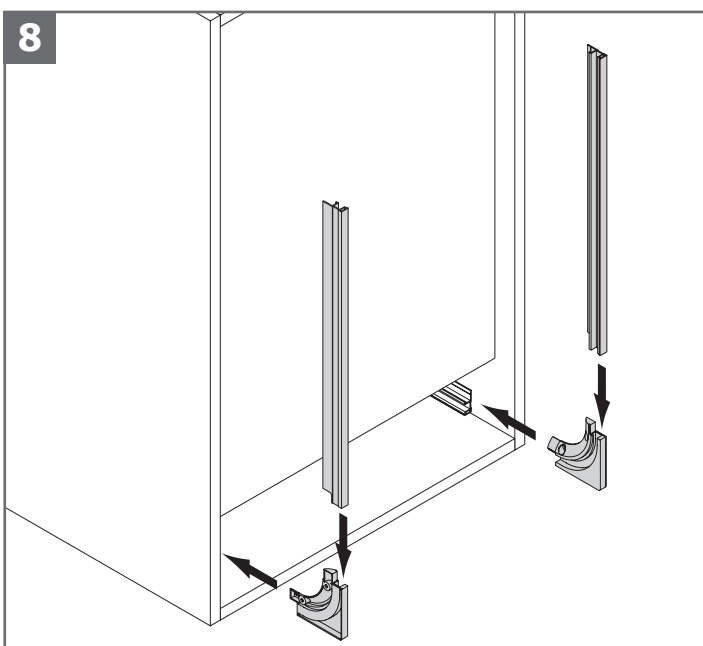
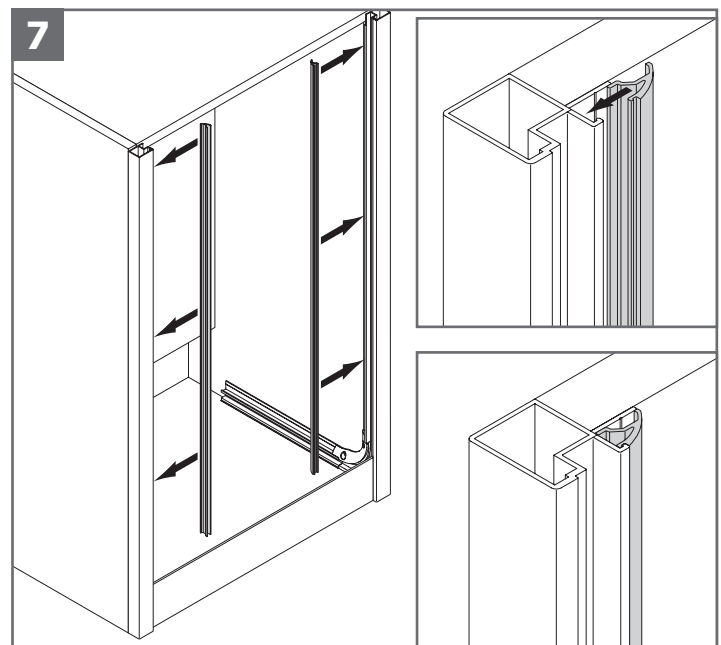
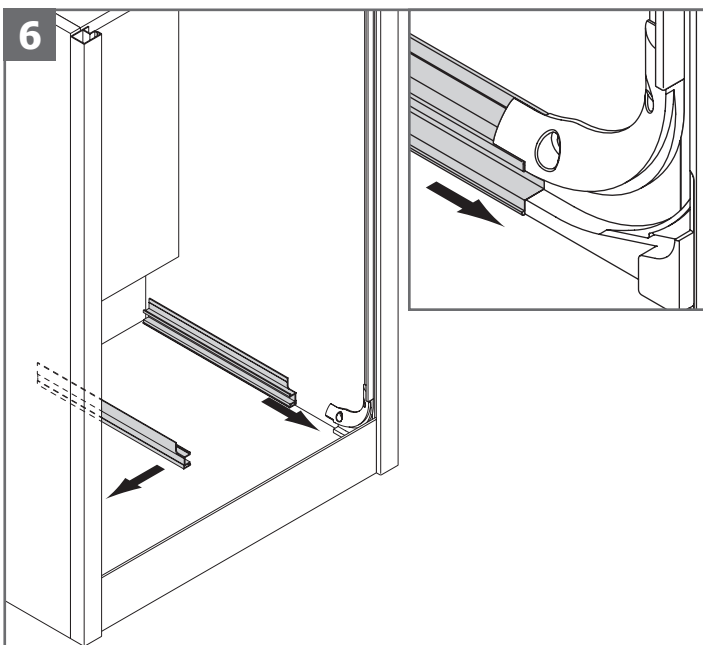
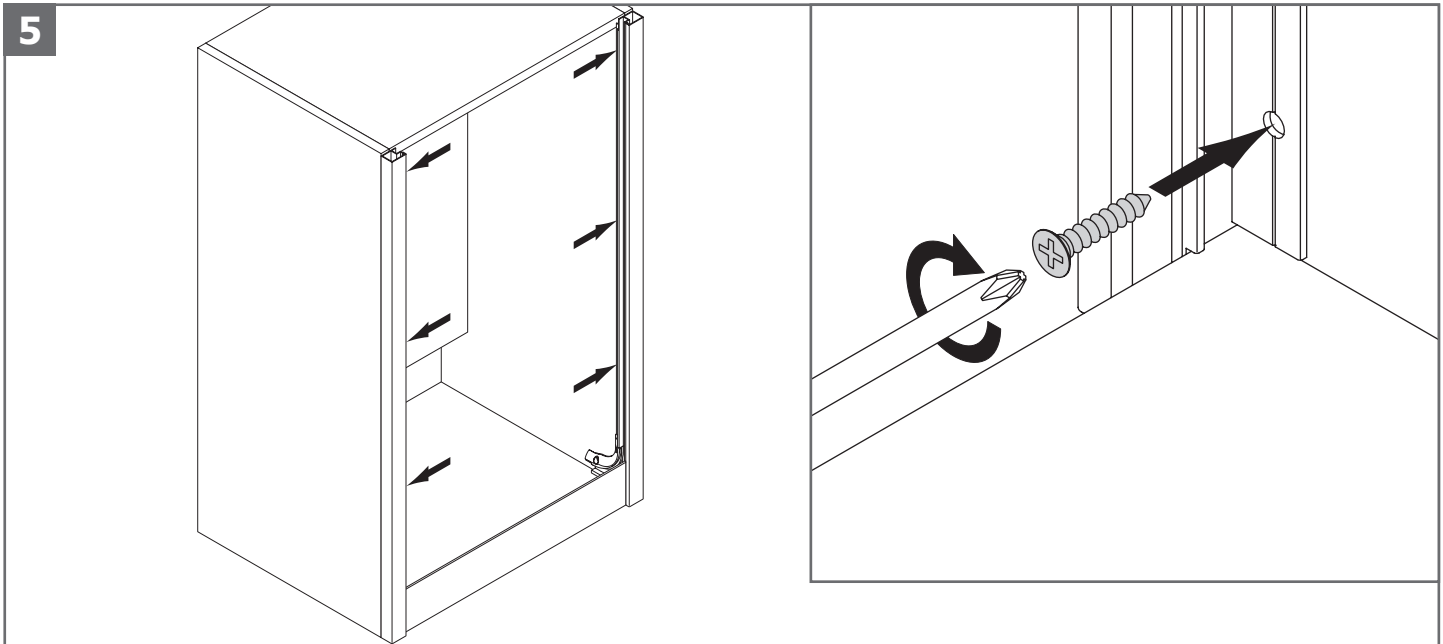


6



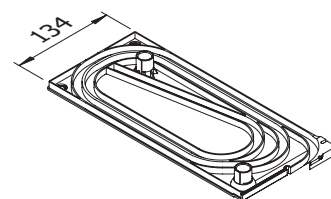
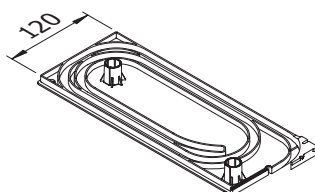
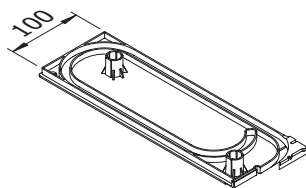
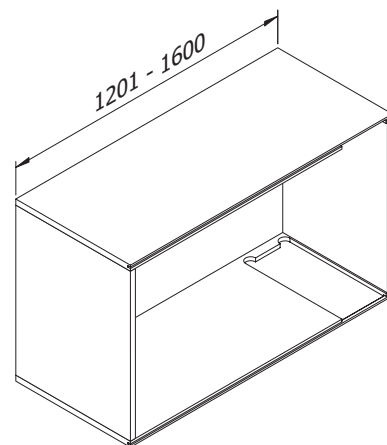
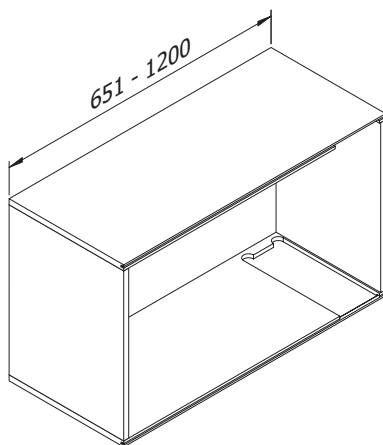
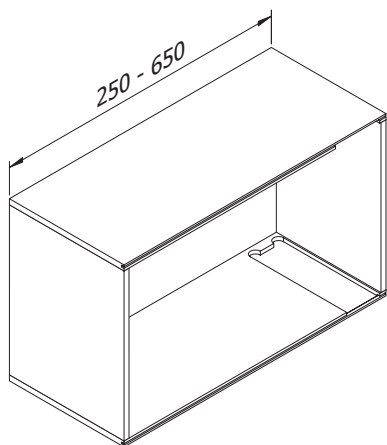
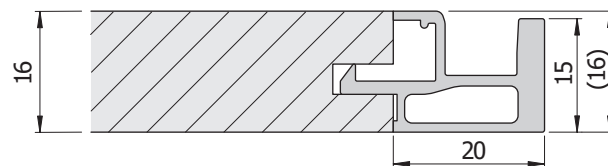
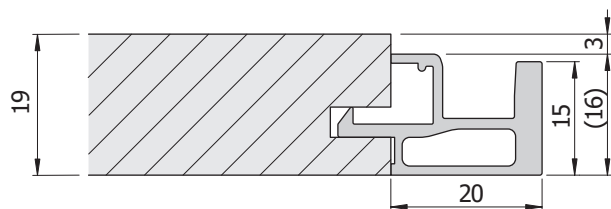
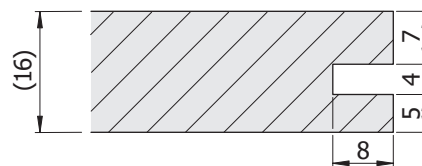
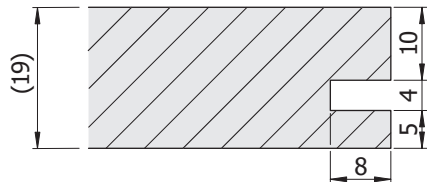

**contour**
**19-2**

**16-2**

**19-0**

**16-0**








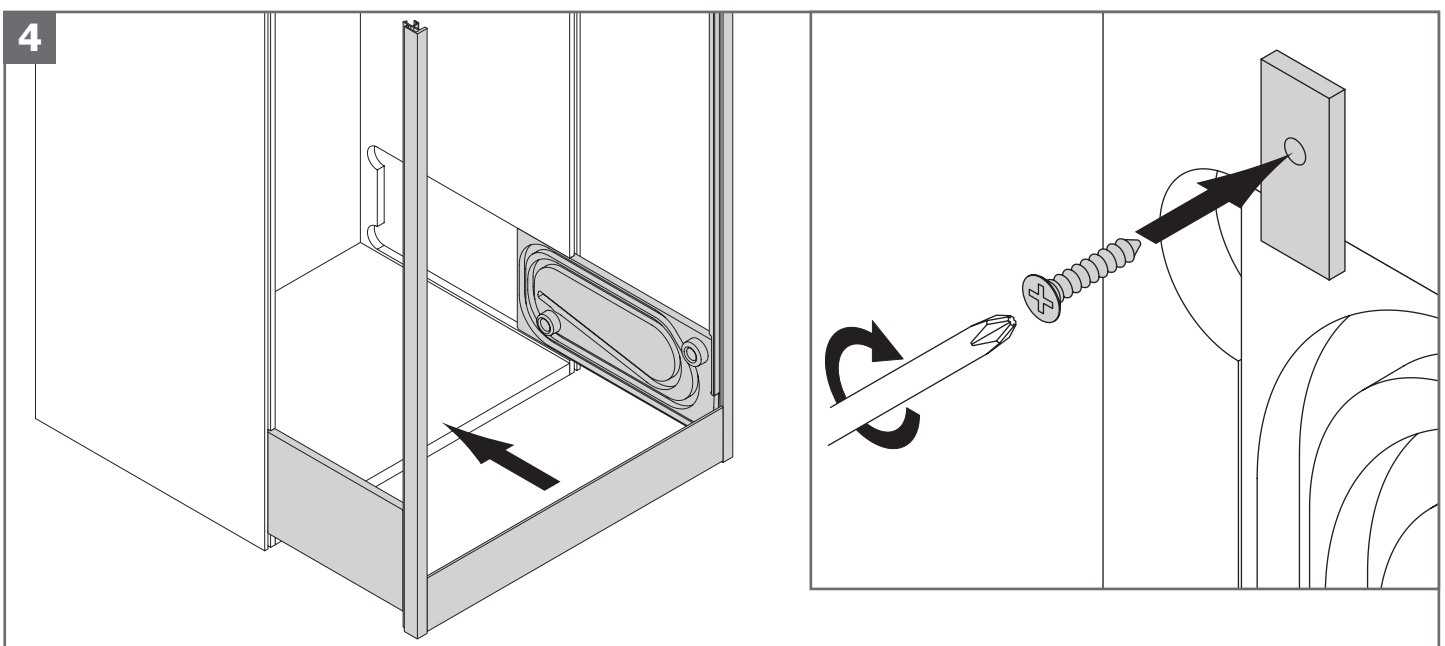
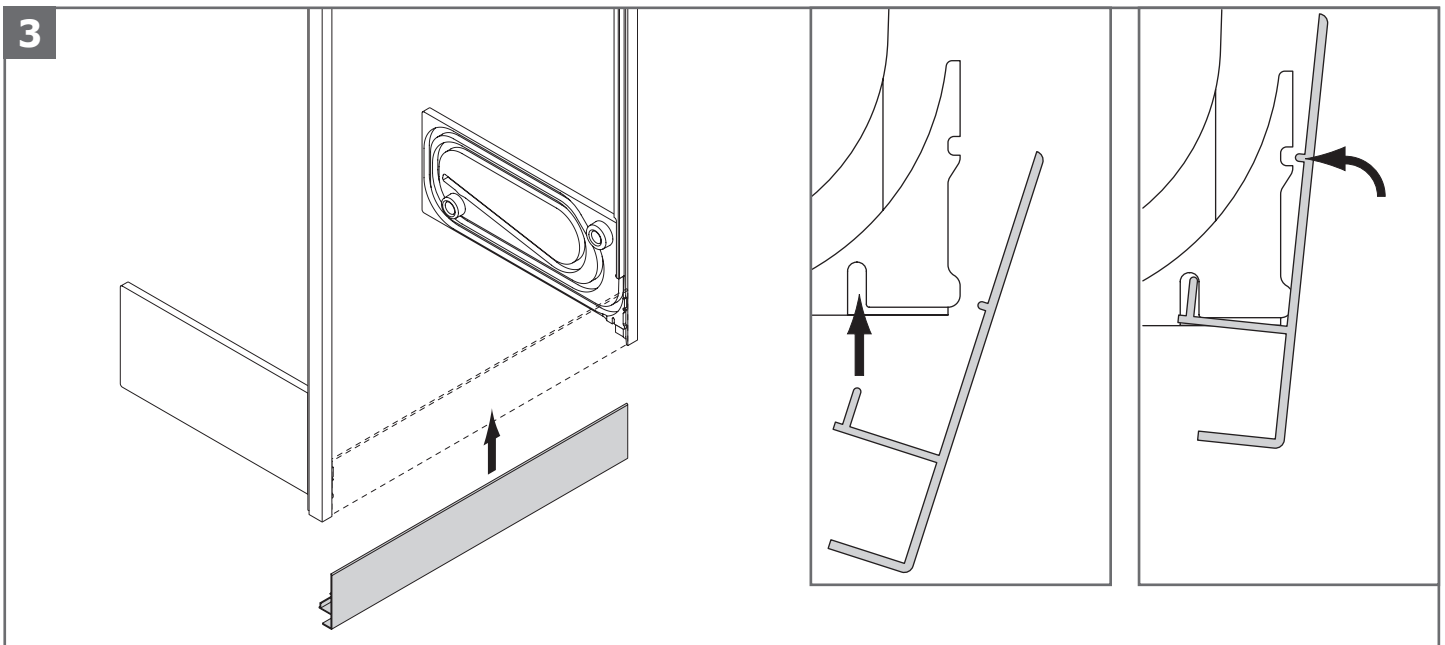
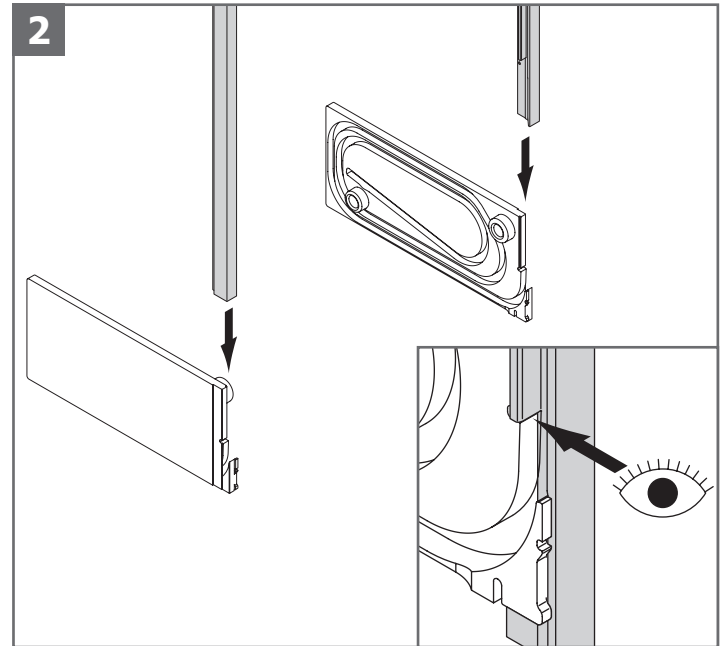
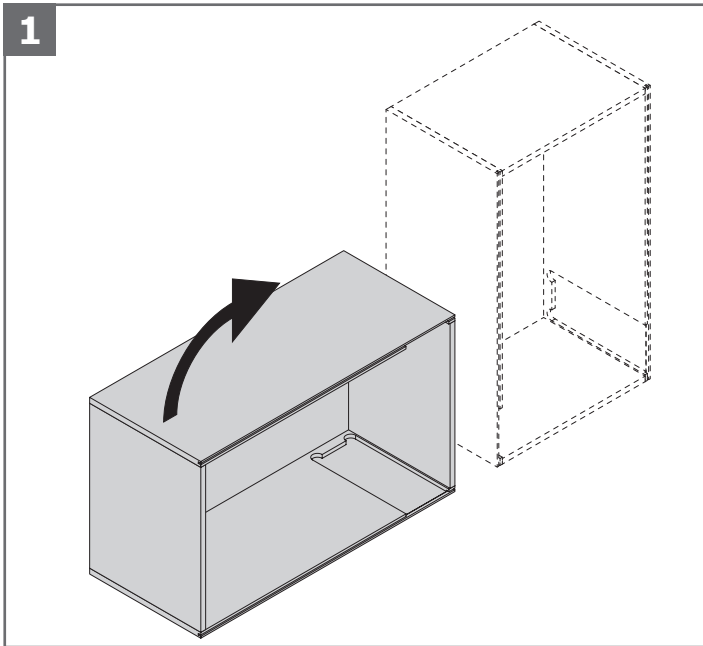
**frame**

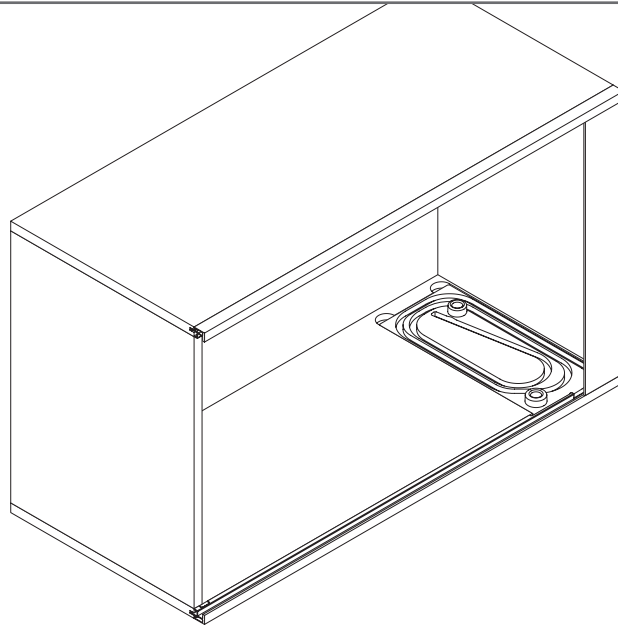


[www.knoke.eu/smart-direct-frame](http://www.knoke.eu/smart-direct-frame)



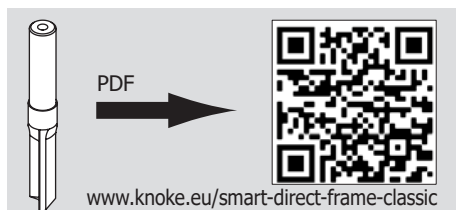
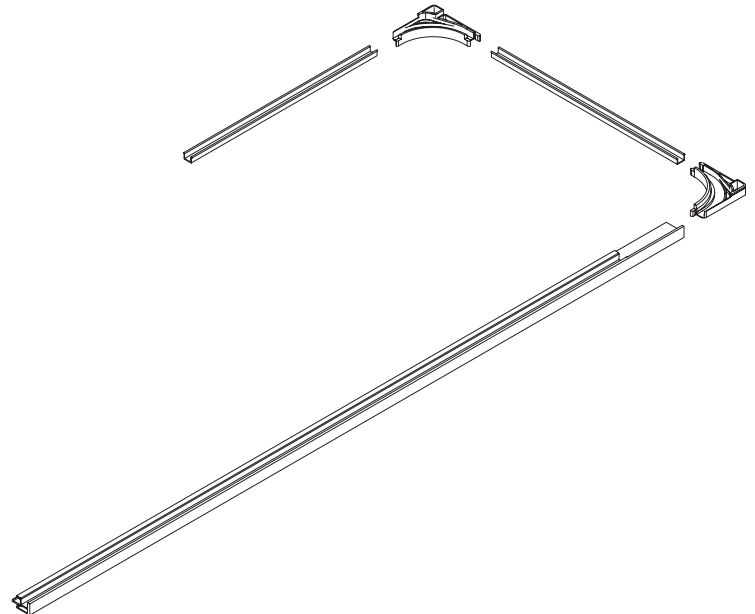
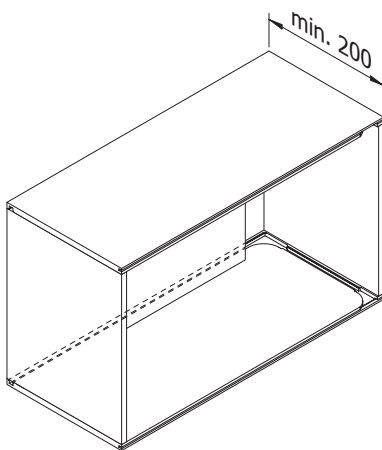
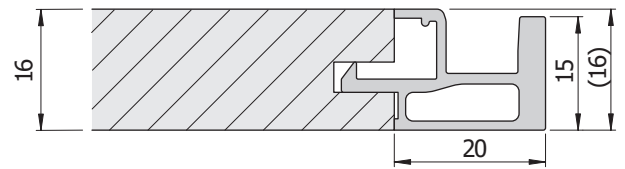
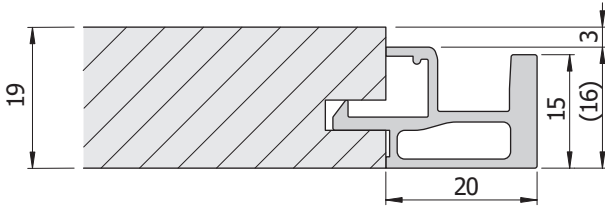
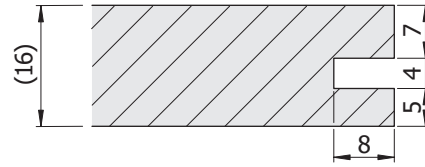
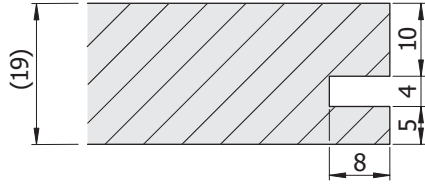
[www.knoke.eu/smart-direct](http://www.knoke.eu/smart-direct)

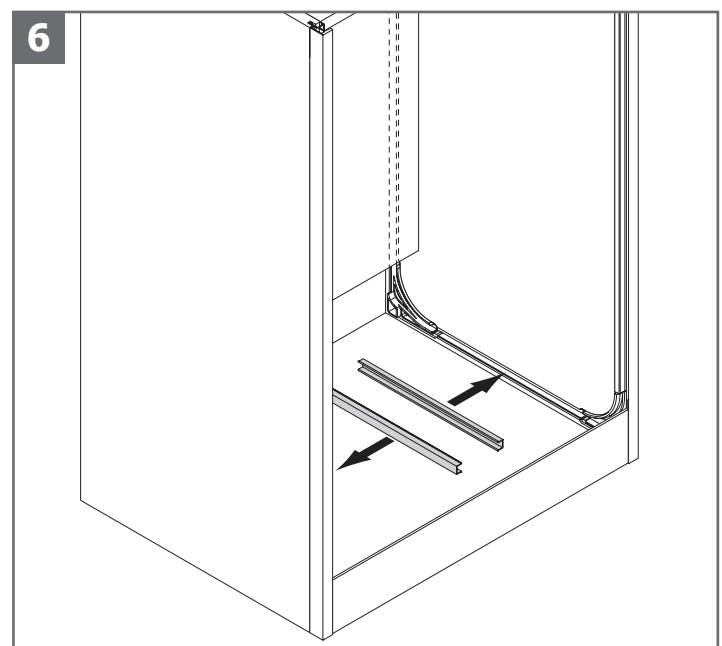
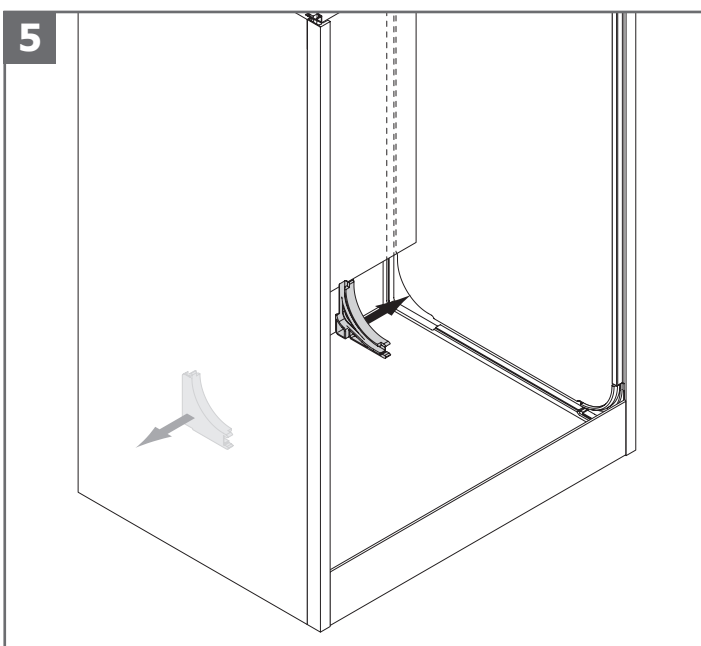
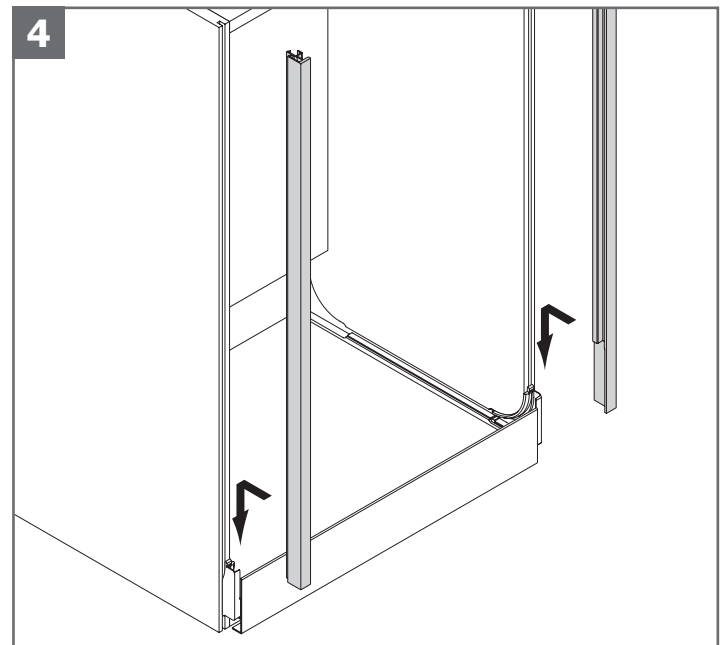
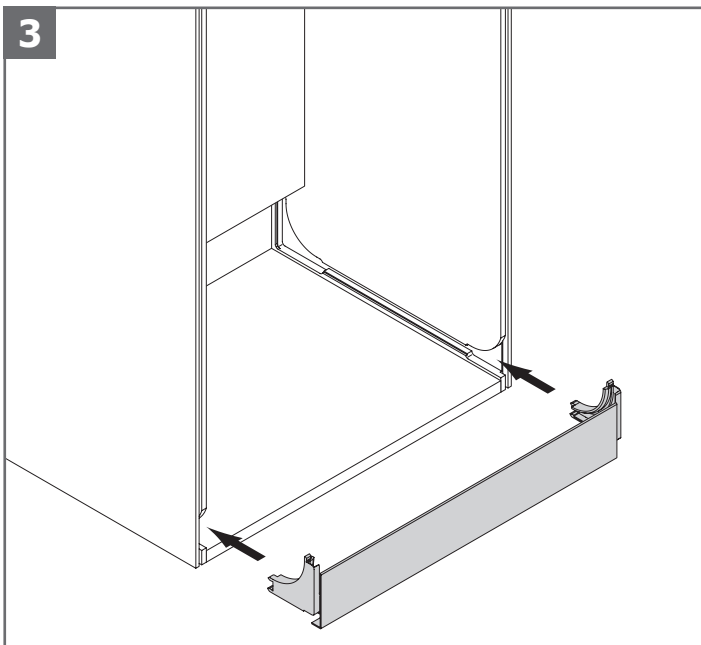
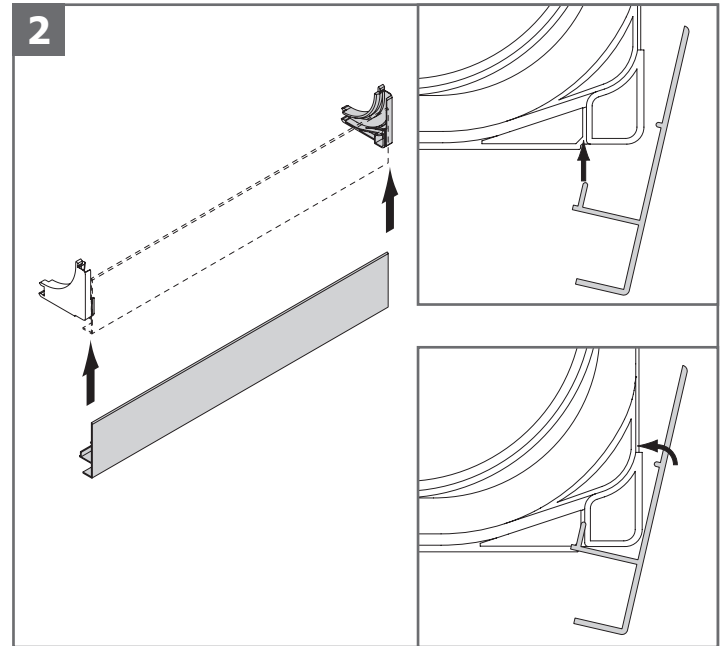
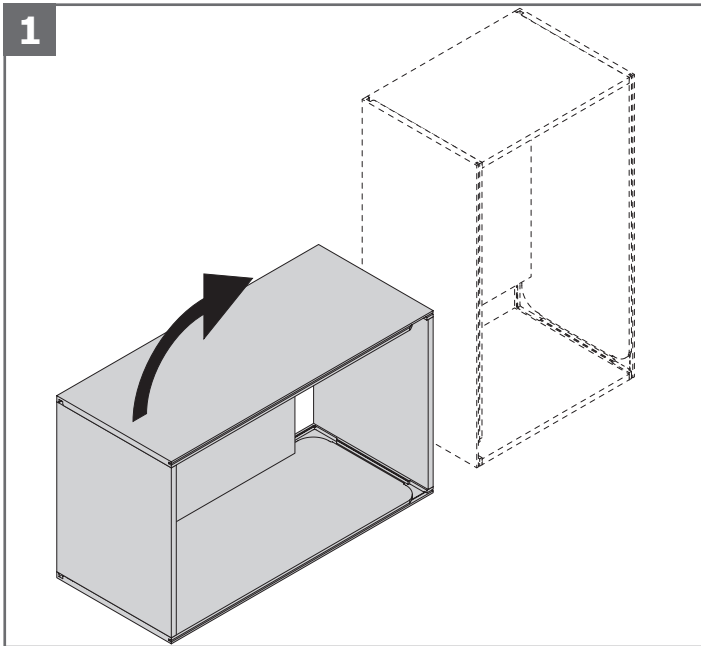


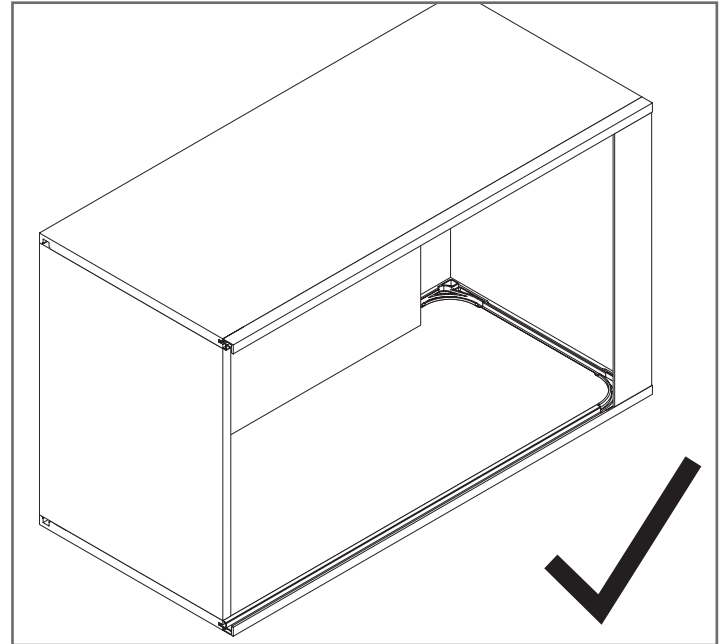
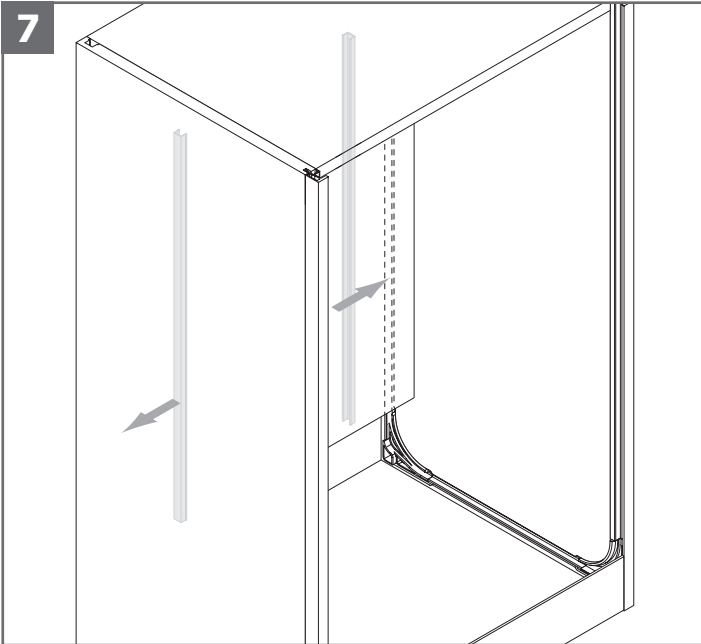


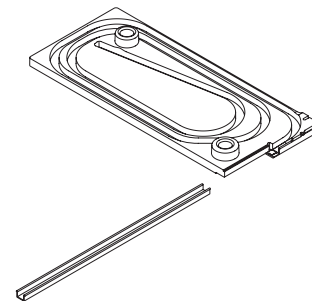
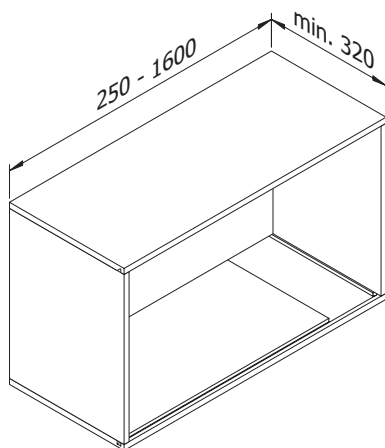
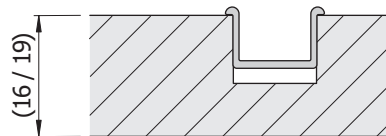
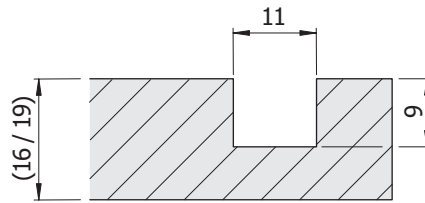


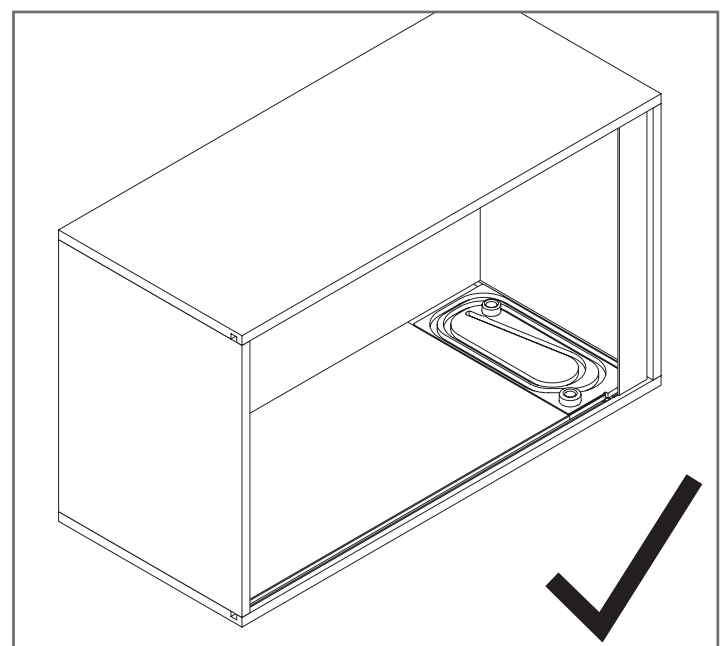
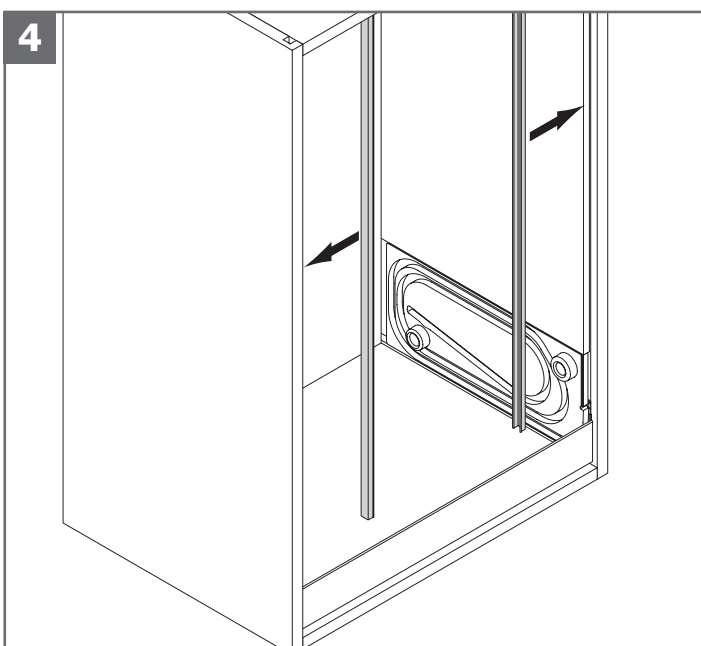
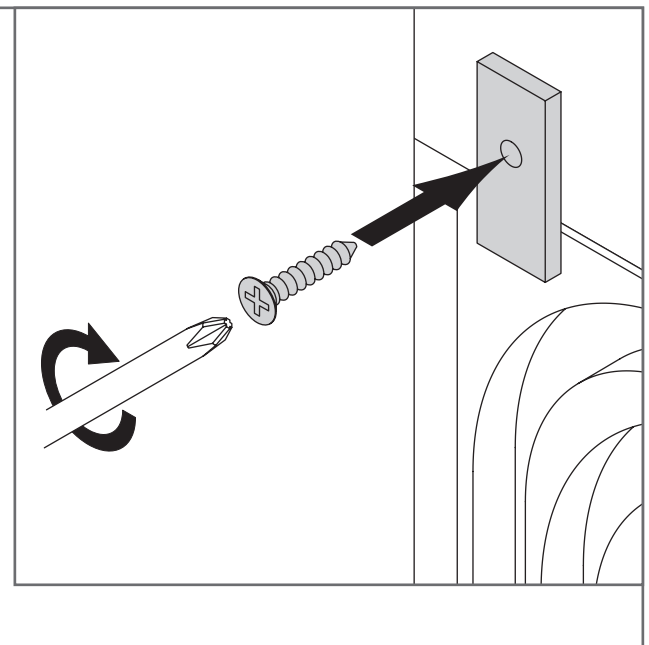
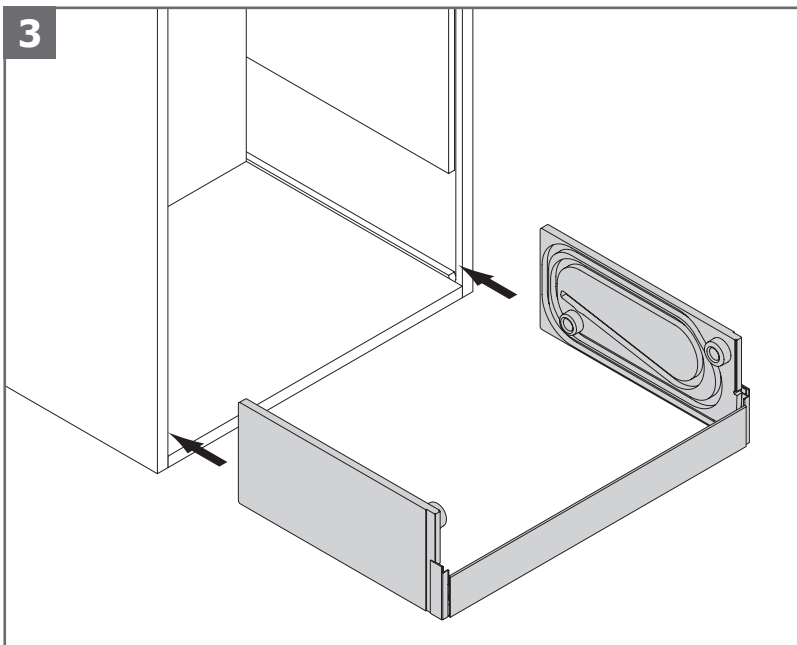
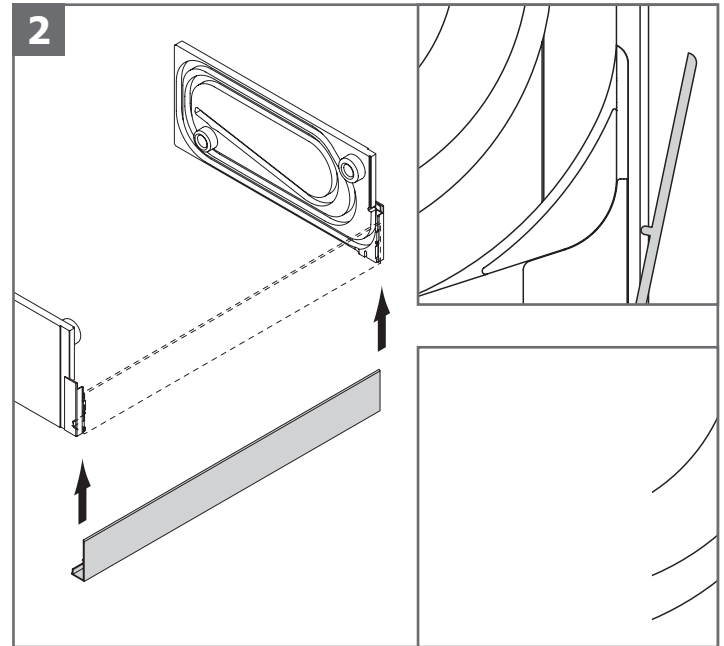
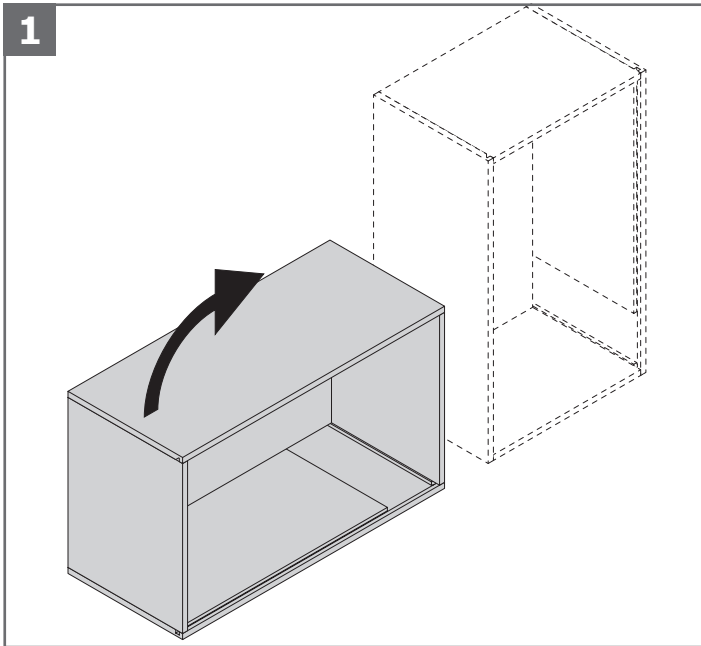
**frame**

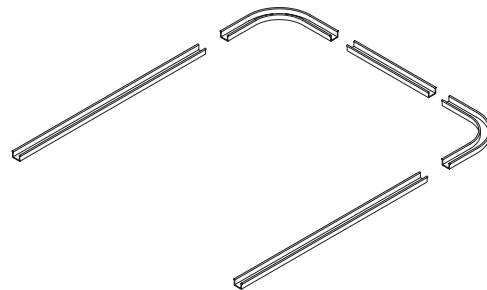
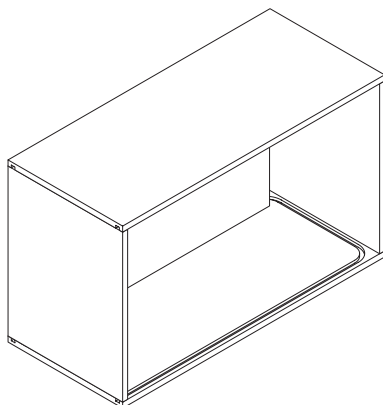
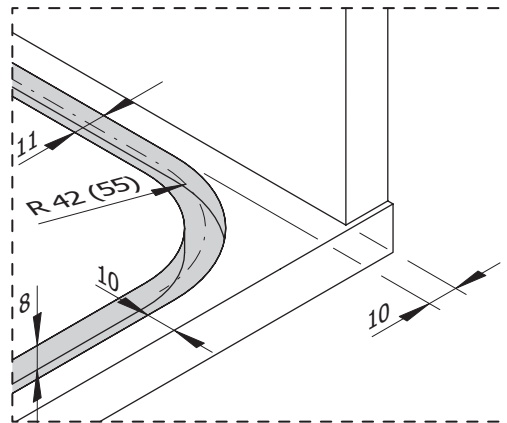
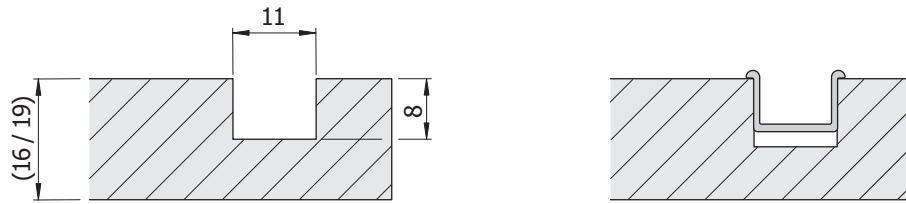


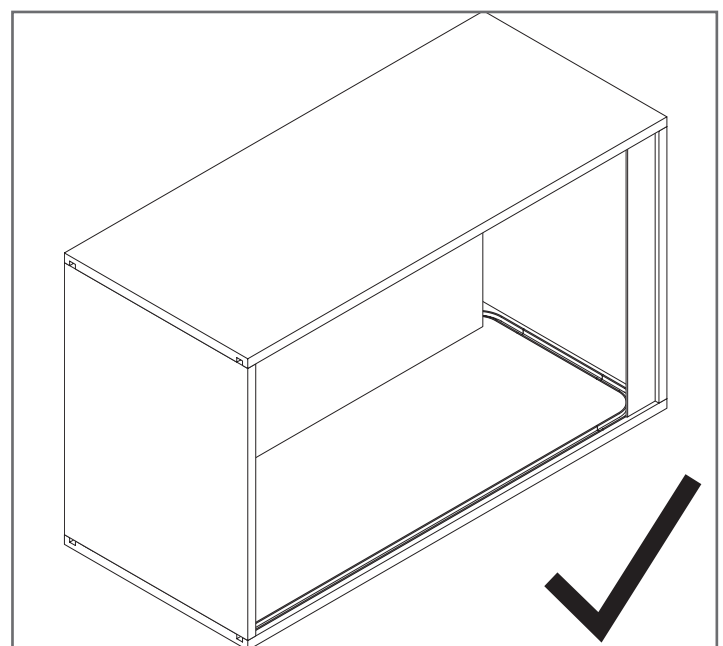
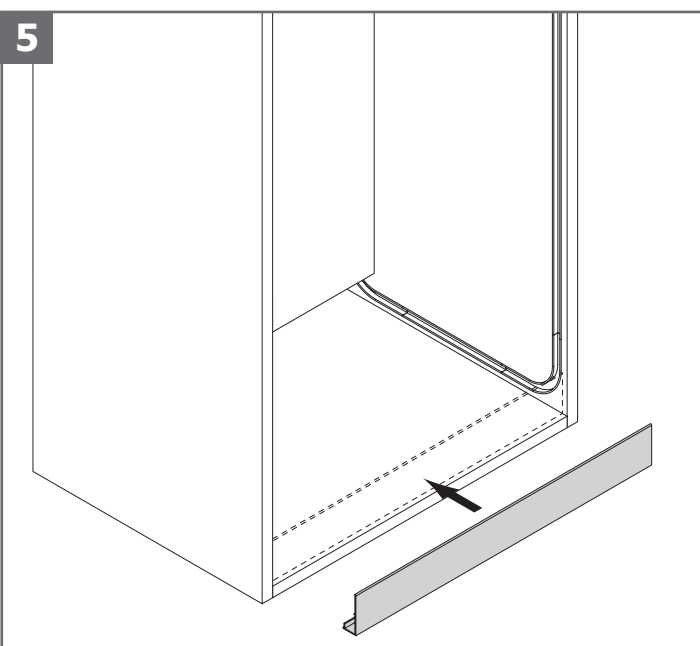
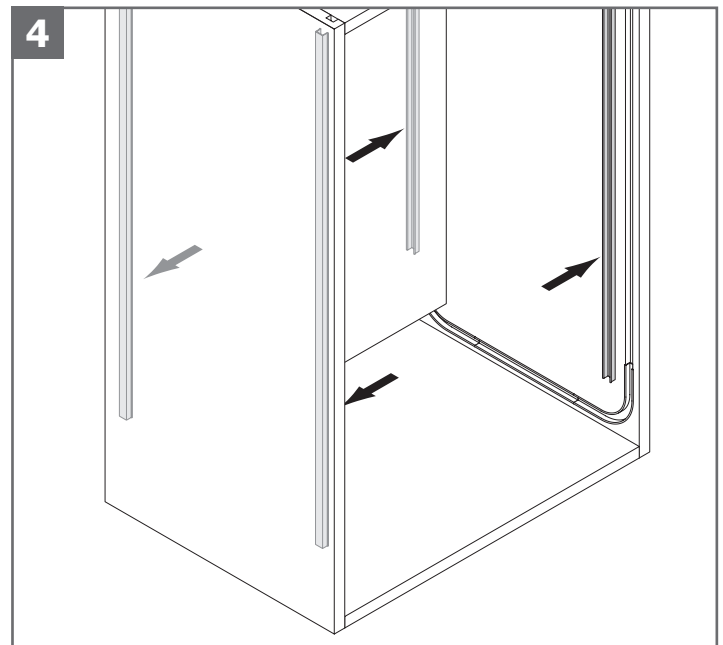
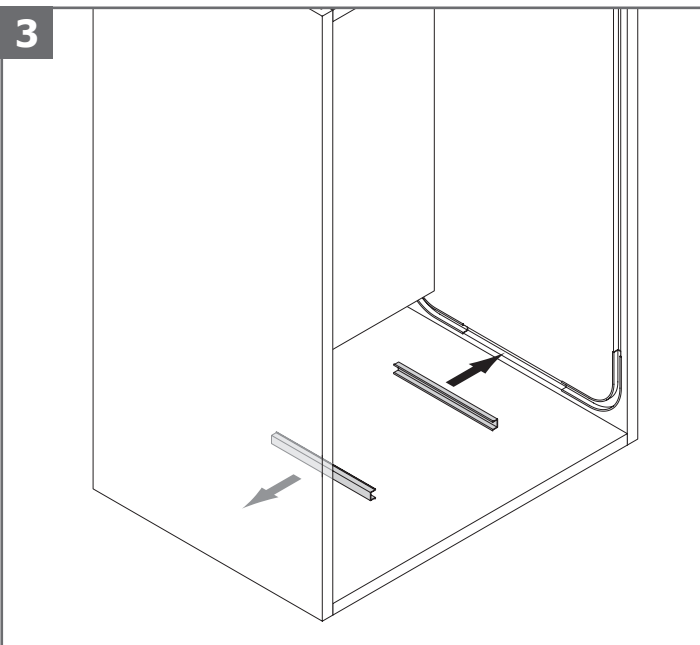
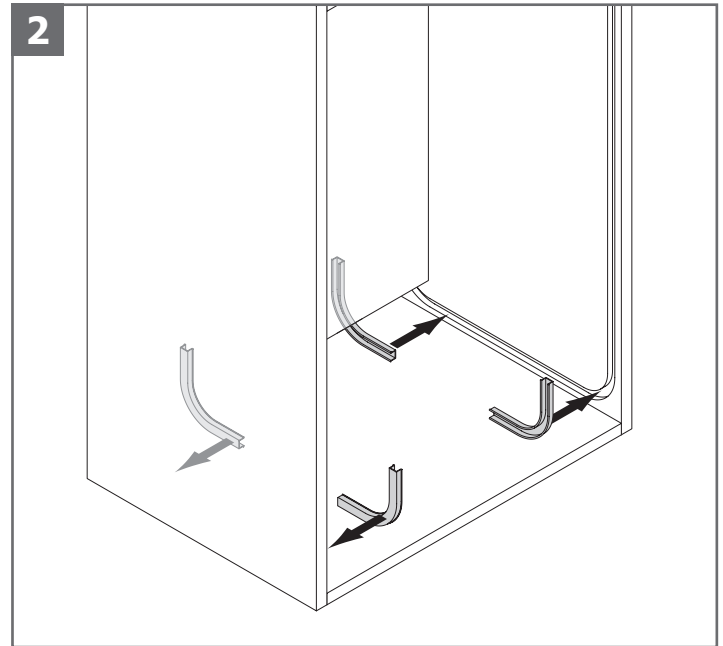
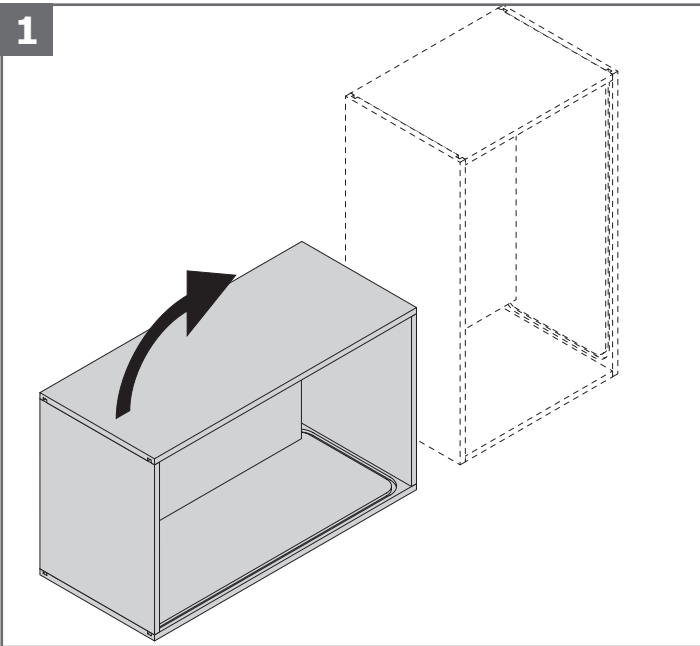





**classic**


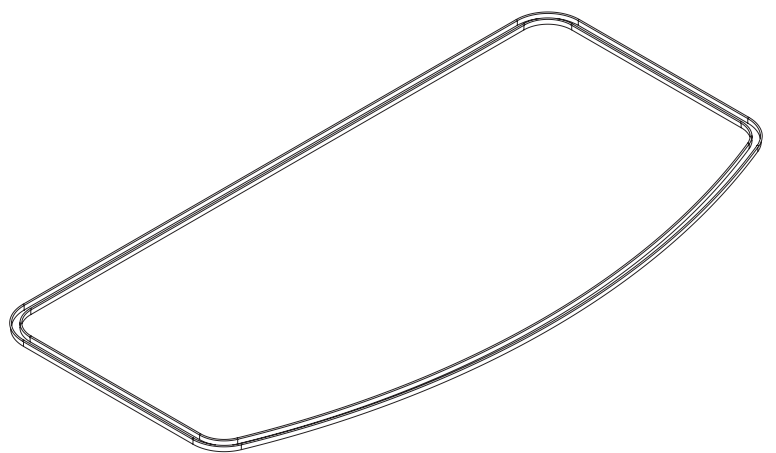
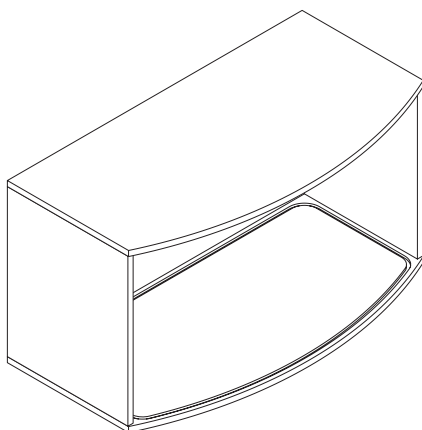
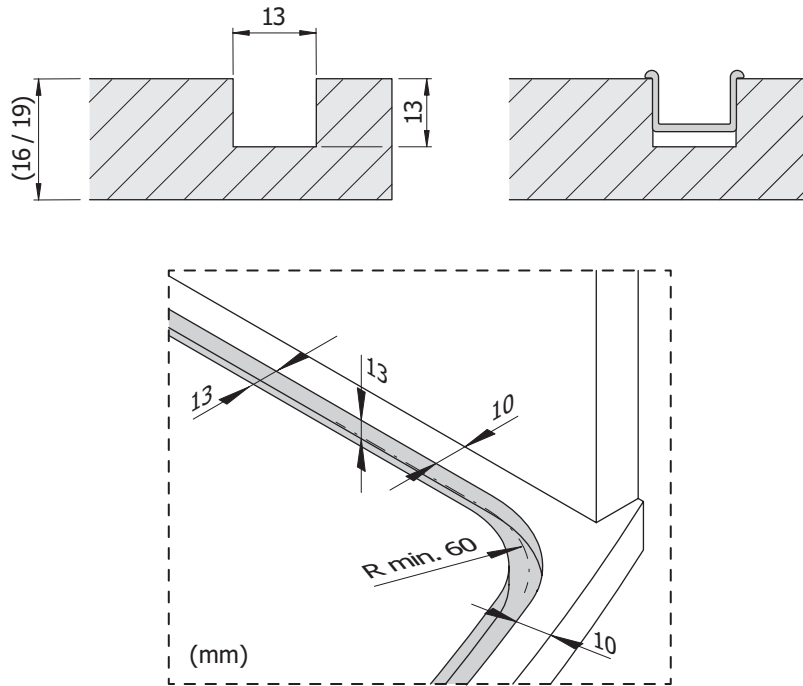


**classic**



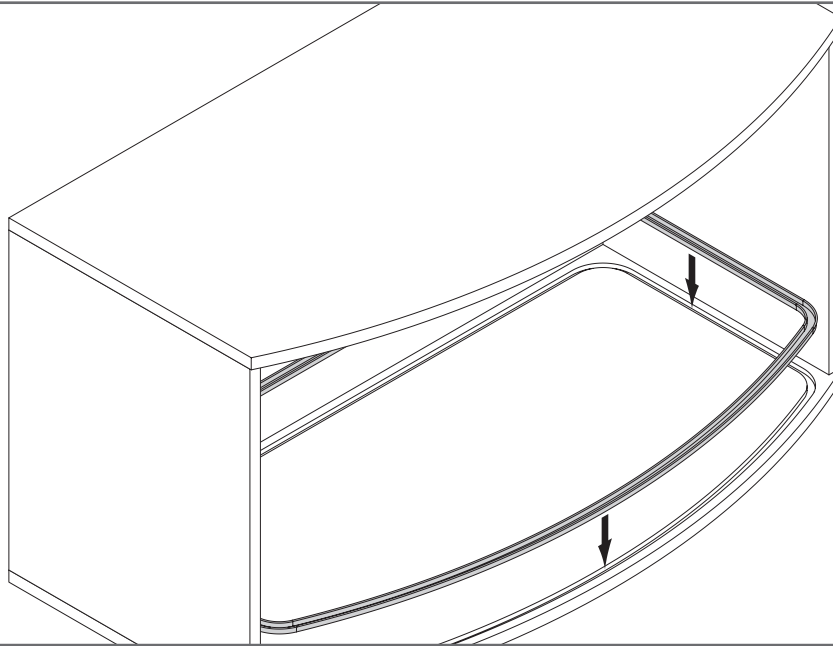


**flex-form**

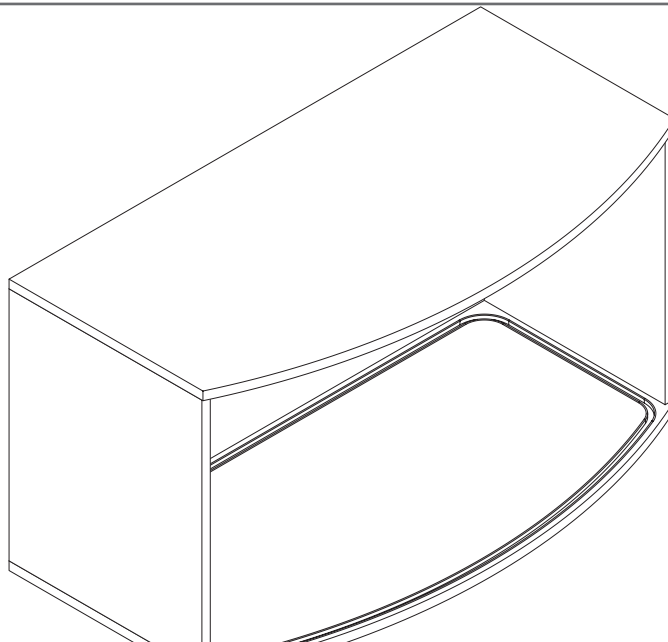
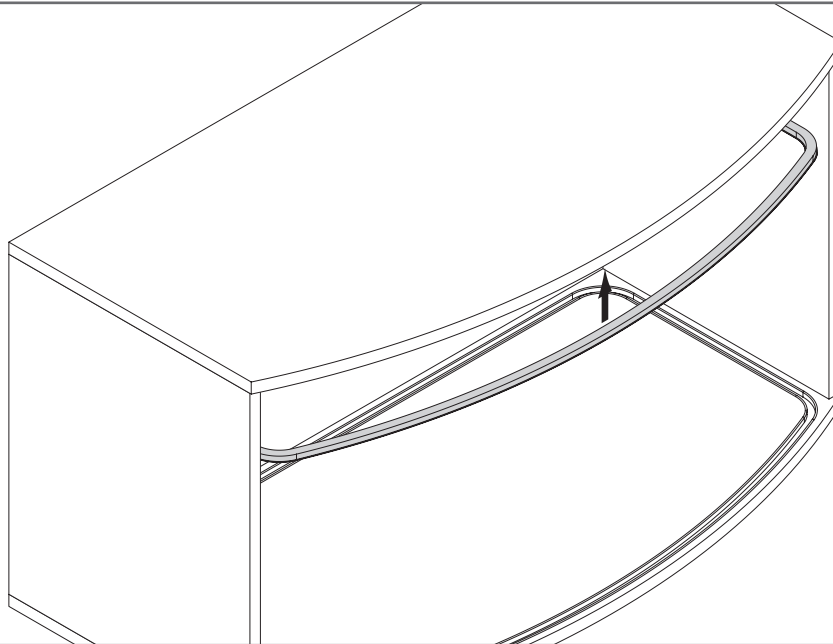




1

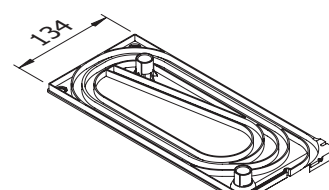
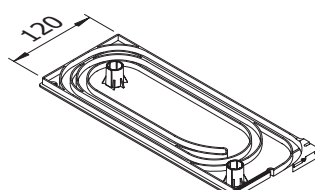
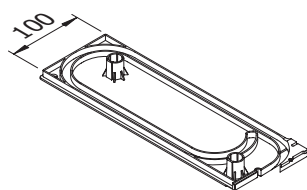
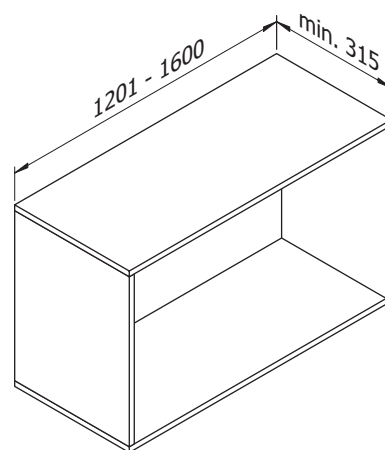
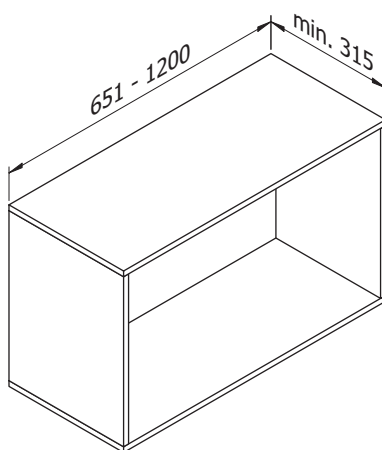
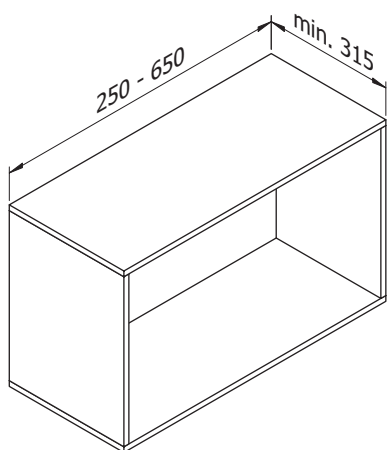
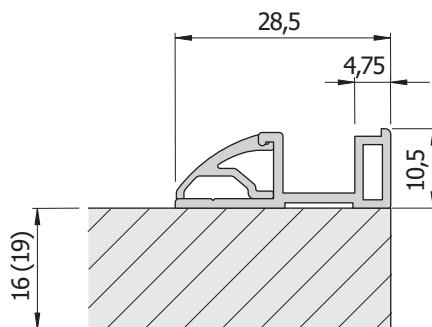


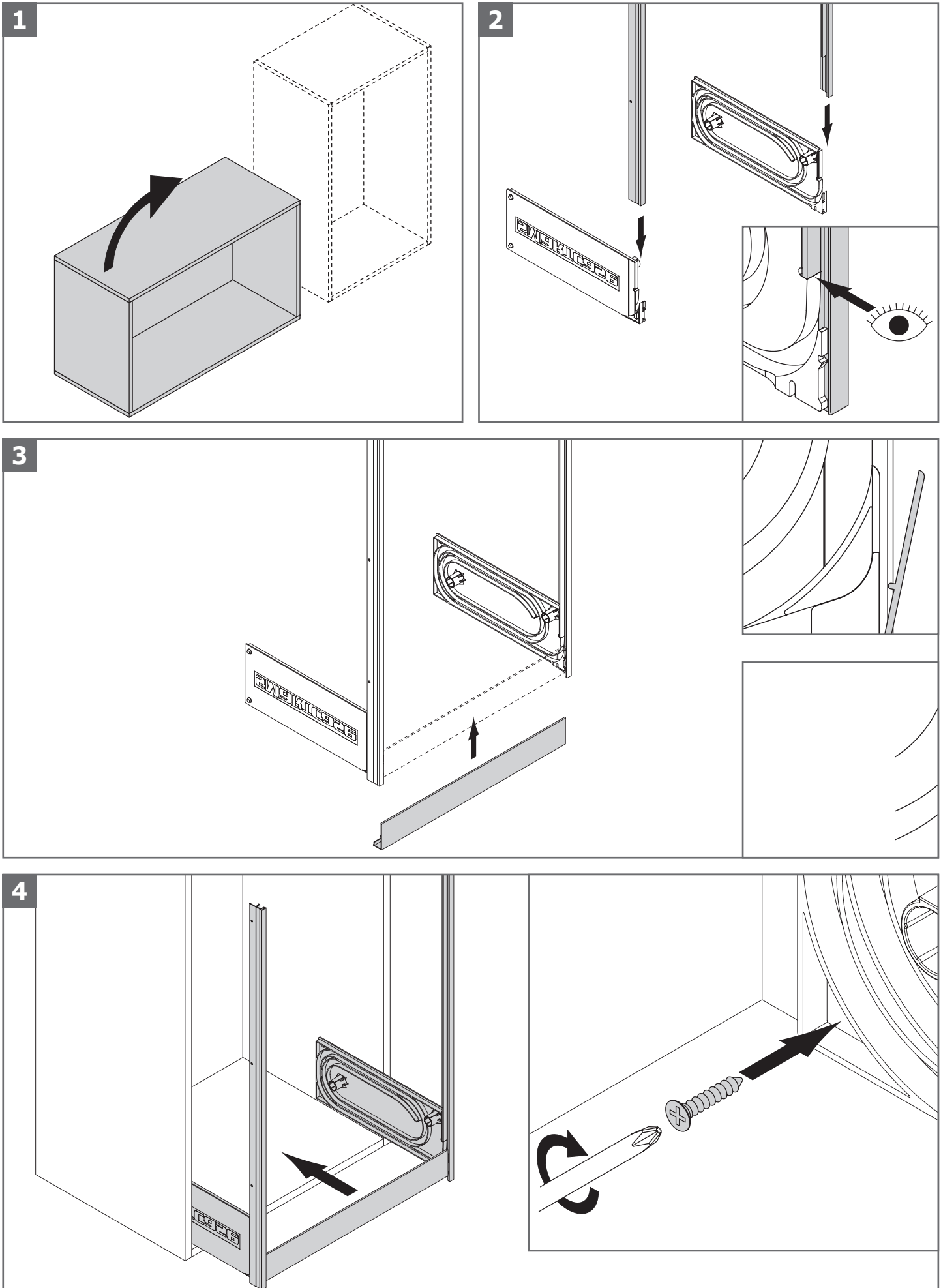
2

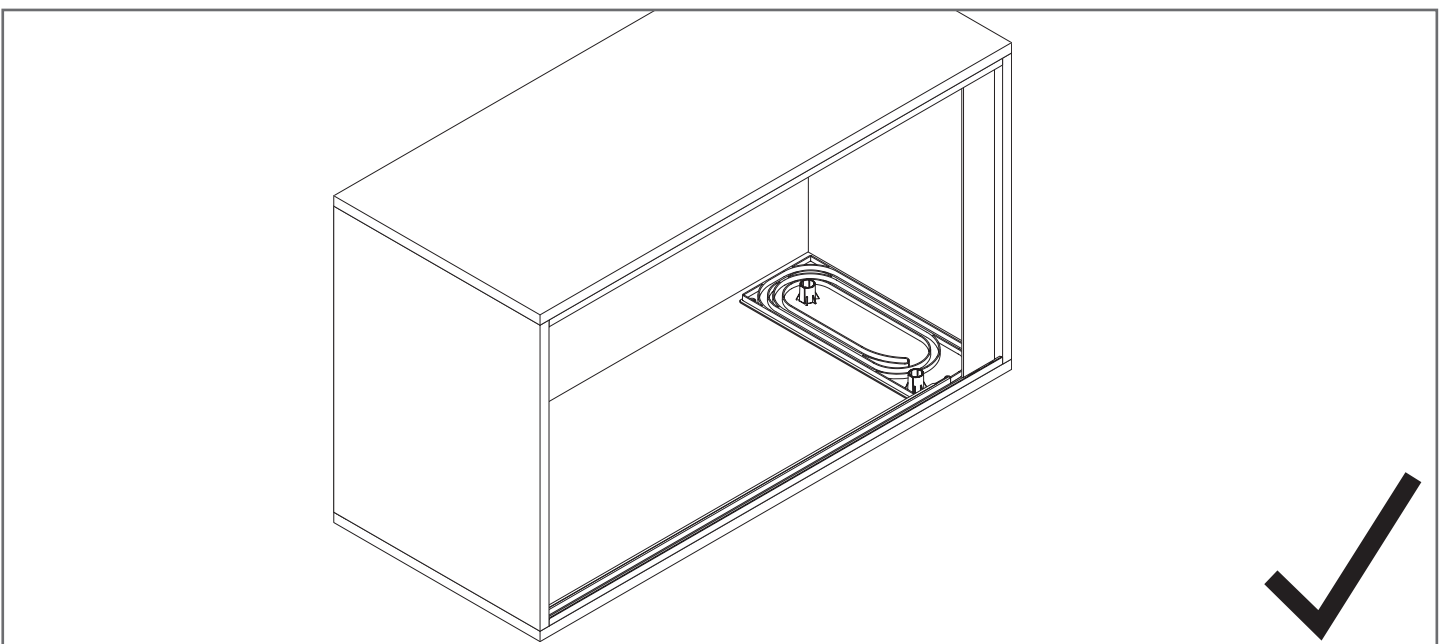
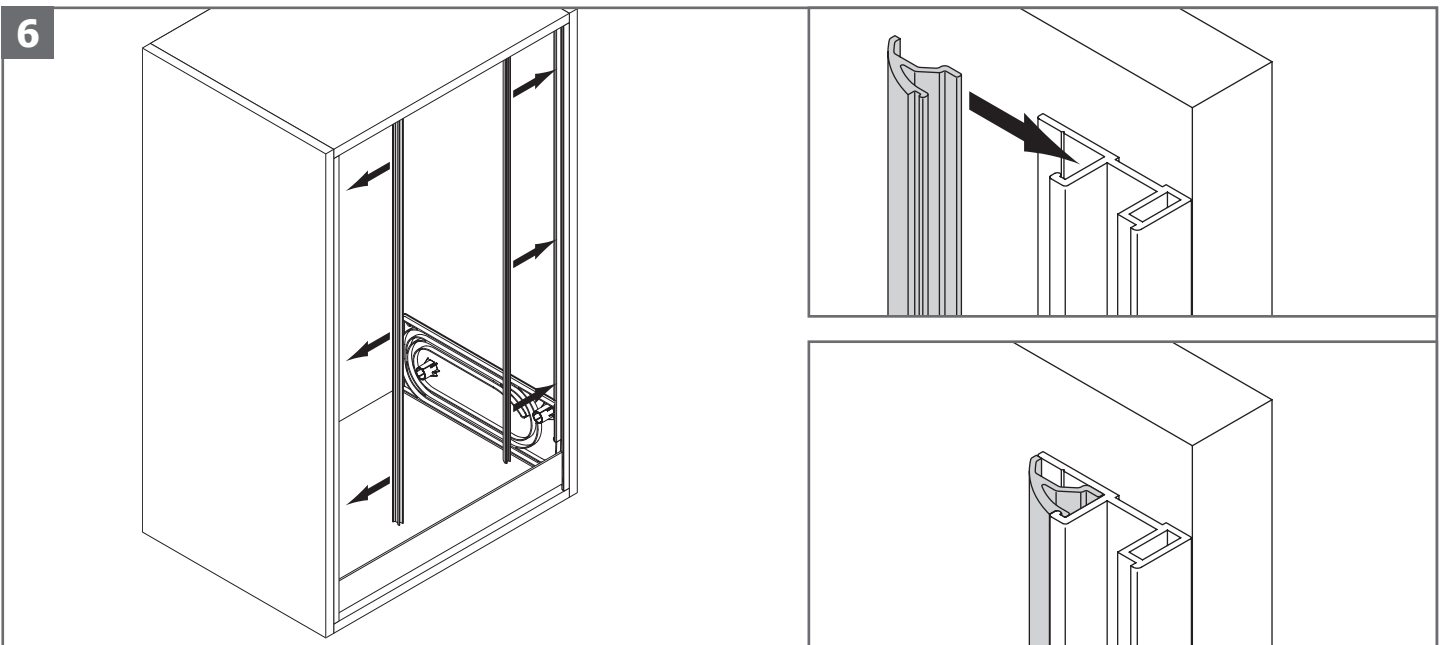
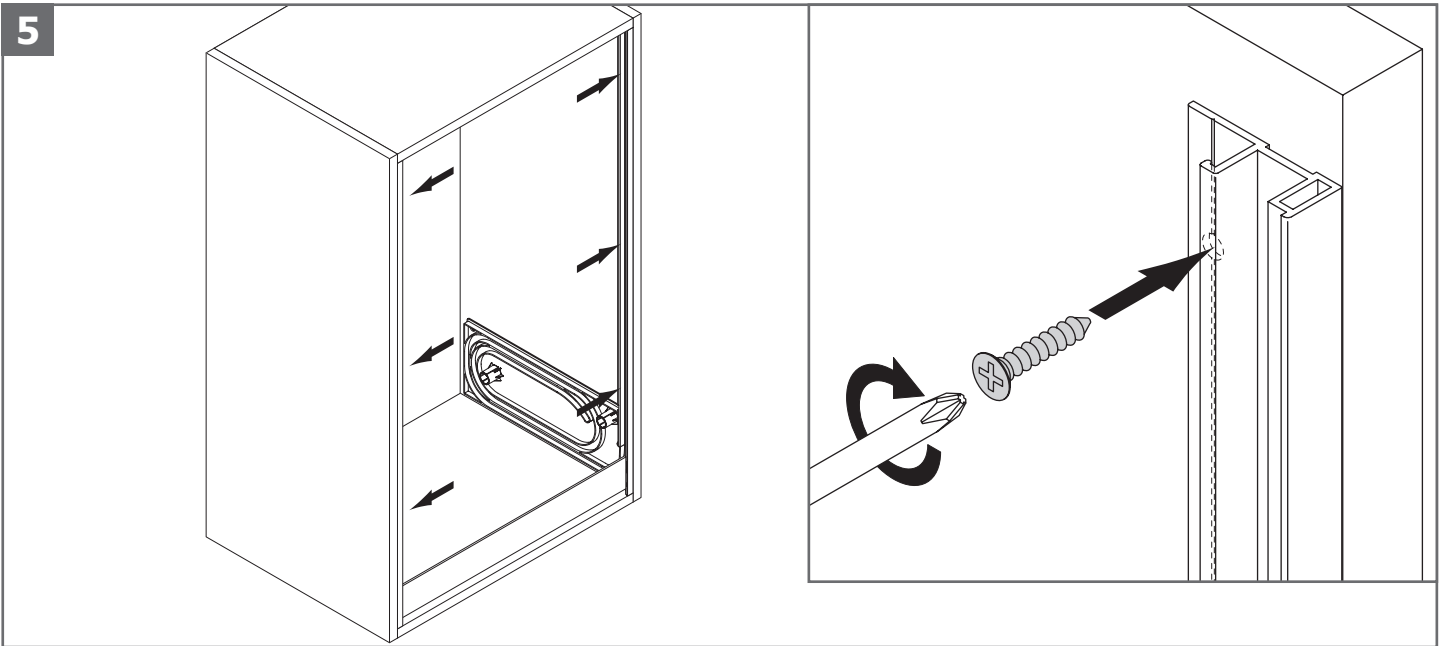




**slim-line**







**slim-line**